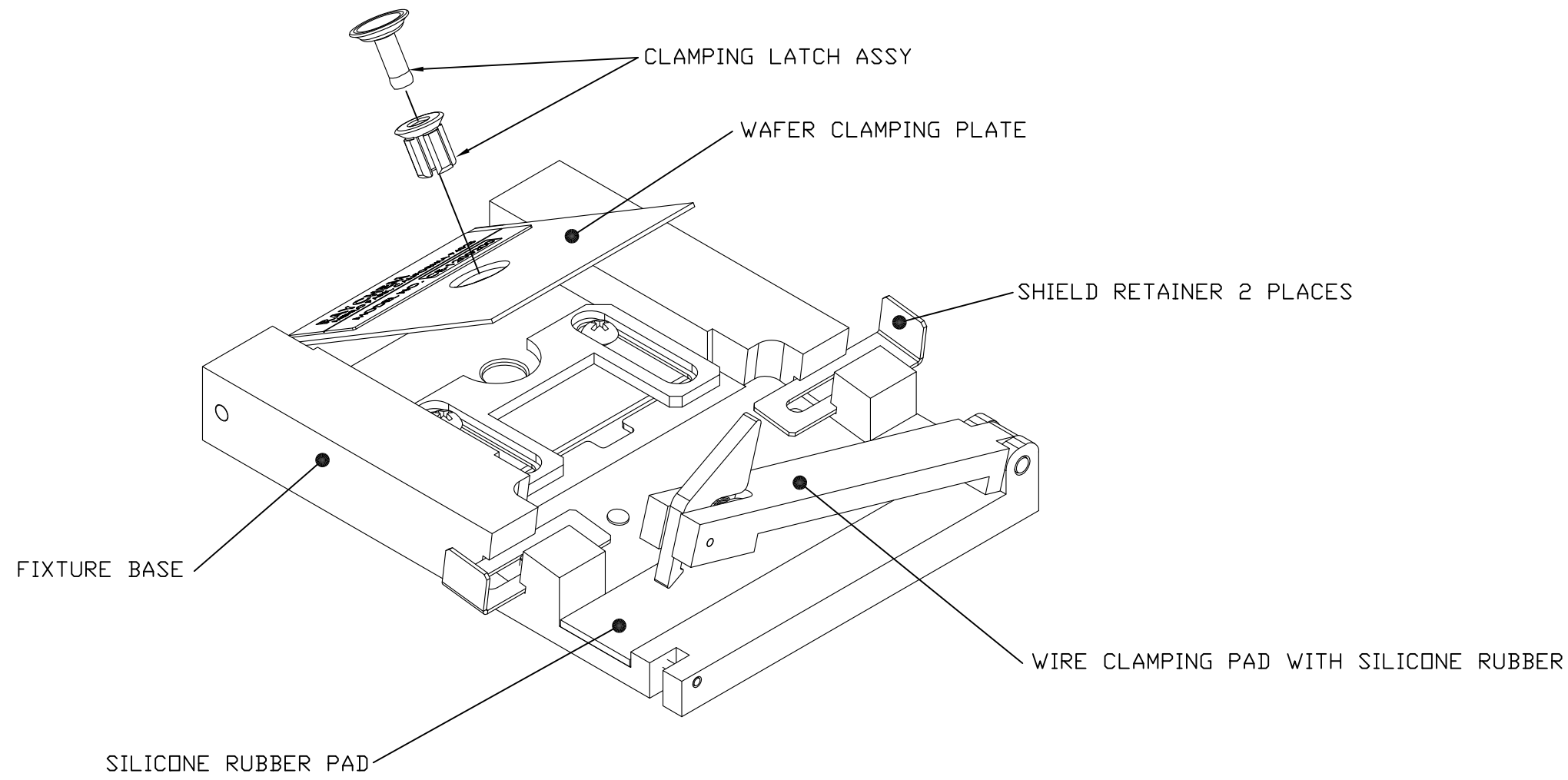


REVISIONS			
LTR	DESCRIPTION	DATE	APPROVED
B	REVISED PER ECO-12-019039	29OCT2012	P. GODFREY


If this document is printed it becomes uncontrolled. Check for the latest revision



1. THIS FIXTURE IS USED WITH MTC 100 CONNECTORS MANUF. BY TE CONNECTIVITY.
2. REFER TO ES-61102 FOR FURTHER OPERATING INSTRUCTIONS.

2012 Tyco Electronics Corporation. All rights reserved.

CUSTOMER DRAWING

UNLESS OTHERWISE SPECIFIED DIMENSIONS ARE IN INCHES AND TOLERANCES ARE: .XXX ± N/A .XX ± N/A ANGLE ± N/A		REDRAWN P. GODFREY	DATE 02OCT12	 TE CONNECTIVITY Raychem App Equipment
MATERIAL 1		CHECKED	DATE	
NEXT ASSY	USED ON	APPROVED P. GODFREY	DATE 02OCT12	TITLE SHIELD TERMINATION FIXTURE MTC WAFERS
THIS DRAWING AND THE INFORMATION SET FORTH HEREON ARE THE PROPERTY OF TYCO ELECTRONICS AND ARE TO BE HELD IN TRUST AND CONFIDENCE. PUBLICATION, DUPLICATION, DISCLOSURE OR USE FOR ANY PURPOSE NOT EXPRESSLY AUTHORIZED IN WRITING BY TYCO ELECTRONICS IS PROHIBITED.		THIRD ANGLE PROJECTION		
DIMENSIONING AND TOLERANCES PER ASME Y14.5-2009		CAD NAME CE-1200200_CD_B	SIZE B	DWG. NO. CE-1200200
		RPN: 965004-000	SCALE: 1X	REV B
		DO NOT SCALE THIS DRAWING		SHEET 1 OF 1