

## Features

- Lead free device
- RoHS compliant\*
- Protects four lines
- ESD and EFT protection
- Low capacitance: <5 pF

## Applications

- Portable electronics
- Cellular phones
- Video/graphics cards
- USB 2.0 interface
- Sensor interface

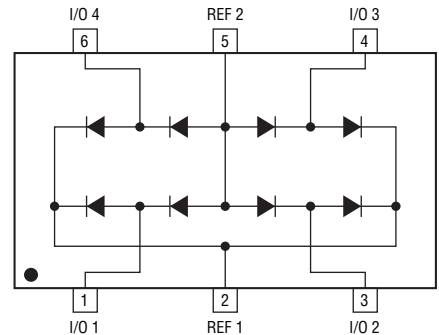
# CDSOT23-SR208 — Steering Diode Array

## General Information

The markets of portable communications, computing and video equipment are challenging the semiconductor industry to develop increasingly smaller electronic components.

Bourns offers Transient Voltage Suppressor Array diodes for EFT and ESD protection applications, in compact chip package SOT23-6 size format. Bourns® Chip Diodes conform to JEDEC standards, are easy to handle on standard pick and place equipment and their flat configuration minimizes roll away.

The Bourns® device will meet IEC 61000-4-2 (ESD) and IEC 61000-4-4 (EFT) requirements.



## Electrical Characteristics (@ T<sub>A</sub> = 25 °C Unless Otherwise Noted)

Parameter	Symbol	Min.	Nom.	Max.	Unit
Repetitive Peak Forward Current ( $t_p = 5 \mu s$ , $F = 50 \text{ KHz}$ )	$I_{FRM}$			700	mA
Continuous Power Dissipation	$P_{PC}$			500	mW
Forward Voltage @ 50 mA	$V_F$			1.2	V
Repetitive Peak Reverse Voltage @ 10 $\mu A$	$V_{RRM}$			20	V
Reverse Leakage Current @ $V_{RRM} 5 \text{ V}$	$I_R$			1	$\mu A$
Capacitance <sup>1</sup>	$C_{j(SD)}$			5	pF
Forward Surge Rating (1/20 s @ 25 °C, $I_F = 10 \text{ mA}$ )	$V_F$			1.5	V

Note:

1. Apply a 5 V bias between pin 2 (REF 1) to pin 5 (REF 2). Measure  $C_j$  between any I/O pins to pin 5 (REF 2) and divide by two.

## Thermal Characteristics (@ T<sub>A</sub> = 25 °C Unless Otherwise Noted)

Parameter	Symbol	Min.	Nom.	Max.	Unit
Operating Temperature	$T_J$	-55	+25	+150	°C
Storage Temperature	$T_{STG}$	-55	+25	+150	°C

\*RoHS Directive 2002/95/EC Jan. 27, 2003 including annex and RoHS Recast 2011/65/EU June 8, 2011. Specifications are subject to change without notice. Customers should verify actual device performance in their specific applications.

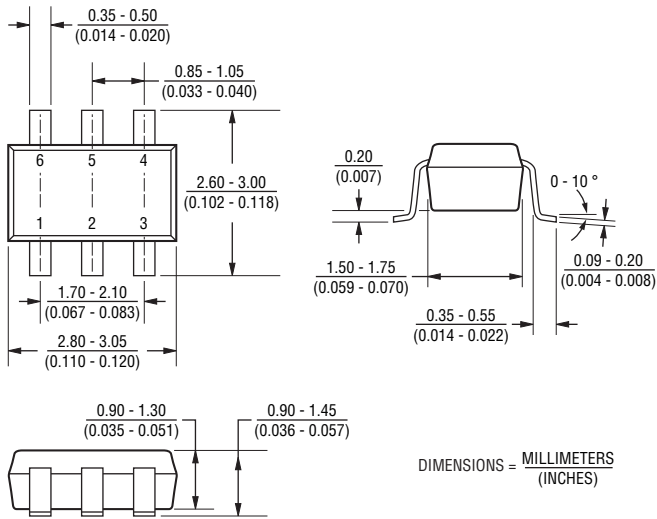
# CDSOT23-SR208 — Steering Diode Array



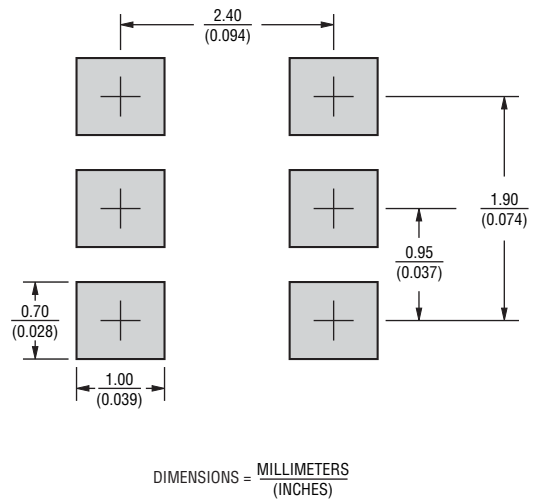
## Mechanical Characteristics

This is a molded JEDEC SOT23-6 package with lead free 100 % Tin (Sn) on the lead frame. It weighs approximately 15 mg and has a flammability rating of UL 94V-0.

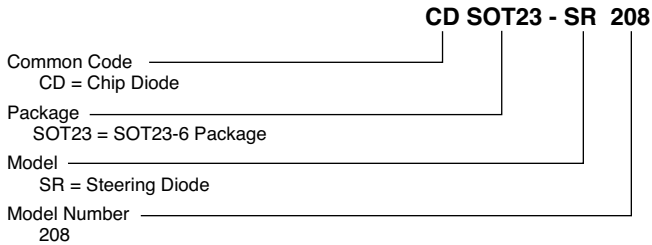
## Product Dimensions



## Recommended Footprint



## How to Order



## Typical Part Marking

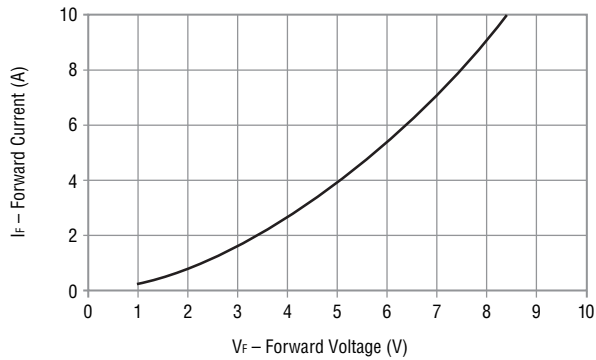
CDSOT23-SR208..... PSB

# CDSOT23-SR208 — Steering Diode Array

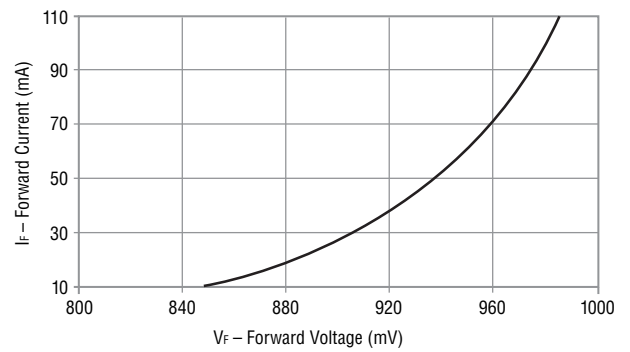
**BOURNS®**

## Performance Graphs

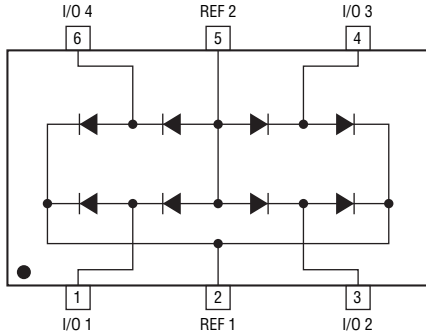
### Peak Forward Current vs. Forward Voltage



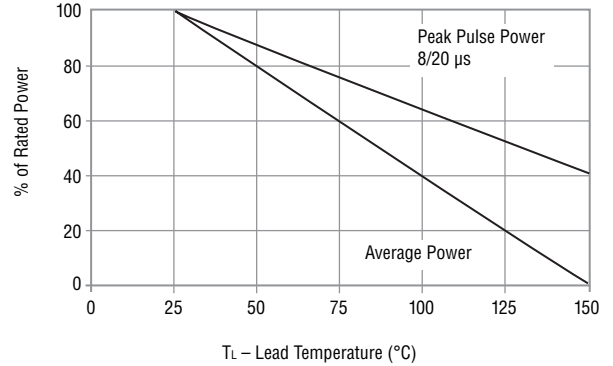
### Low Forward Current vs. Forward Voltage



### Block Diagram



### Power Derating Curve

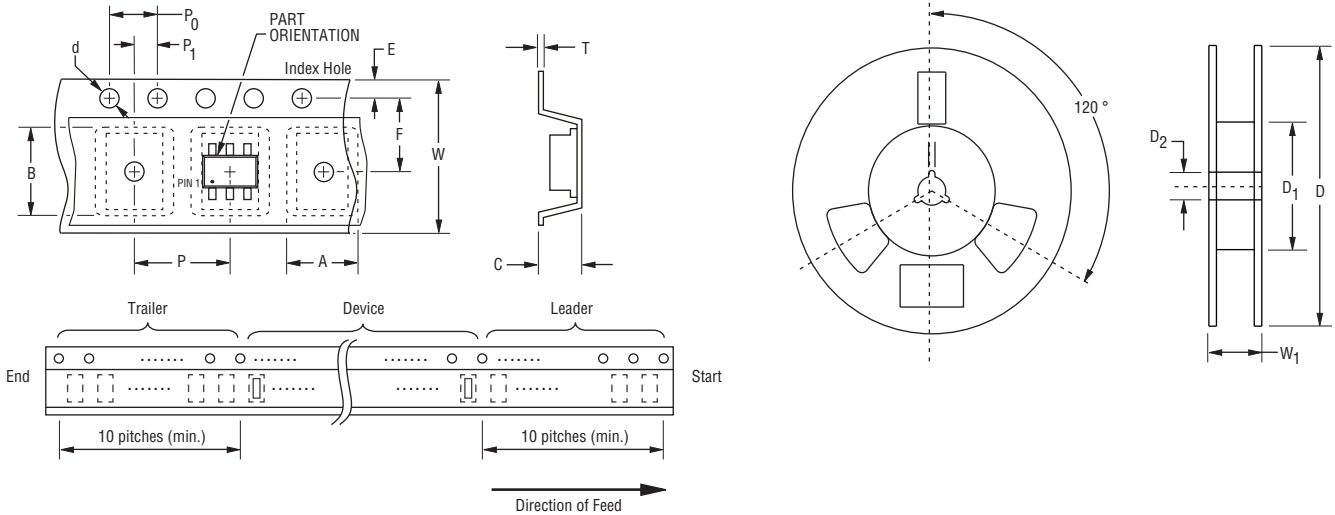


# CDSOT23-SR208 — Steering Diode Array

**BOURNS®**

## Packaging Information

The product is packaged in tape and reel format per EIA-481 standard.



Item	Symbol	SOT23-6
Carrier Width	A	$\frac{3.90 \pm 0.10}{(0.154 \pm 0.004)}$
Carrier Length	B	$\frac{3.90 \pm 0.10}{(0.154 \pm 0.004)}$
Carrier Depth	C	$\frac{0.90 \pm 0.10}{(0.035 \pm 0.004)}$
Sprocket Hole	d	$\frac{1.55 \pm 0.05}{(0.061 \pm 0.002)}$
Reel Outside Diameter	D	$\frac{178}{(7.008)}$
Reel Inner Diameter	D <sub>1</sub>	$\frac{50.0}{(1.969)}$ MIN.
Feed Hole Diameter	D <sub>2</sub>	$\frac{13.0 \pm 0.20}{(0.512 \pm 0.008)}$
Sprocket Hole Position	E	$\frac{1.75 \pm 0.10}{(0.069 \pm 0.004)}$
Punch Hole Position	F	$\frac{3.50 \pm 0.05}{(0.138 \pm 0.002)}$
Punch Hole Pitch	P	$\frac{4.00 \pm 0.10}{(0.157 \pm 0.004)}$
Sprocket Hole Pitch	P <sub>0</sub>	$\frac{4.00 \pm 0.10}{(0.157 \pm 0.004)}$
Embossment Center	P <sub>1</sub>	$\frac{2.00 \pm 0.05}{(0.079 \pm 0.002)}$
Overall Tape Thickness	T	$\frac{0.20 \pm 0.10}{(0.008 \pm 0.004)}$
Tape Width	W	$\frac{8.00 \pm 0.20}{(0.315 \pm 0.008)}$
Reel Width	W <sub>1</sub>	$\frac{14.4}{(0.567)}$ MAX.
Quantity per Reel	--	3000

**BOURNS®**

### Asia-Pacific:

Tel: +886-2 2562-4117

Fax: +886-2 2562-4116

### Europe:

Tel: +41-41 768 5555

Fax: +41-41 768 5510

### The Americas:

Tel: +1-951 781-5500

Fax: +1-951 781-5700

[www.bourns.com](http://www.bourns.com)

REV. 12/12

Specifications are subject to change without notice.  
Customers should verify actual device performance in their specific applications.