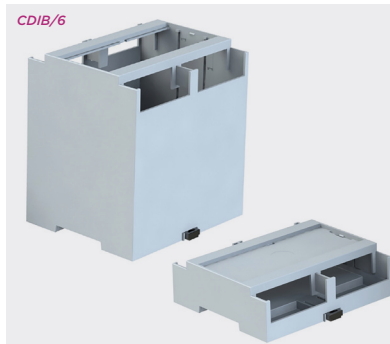
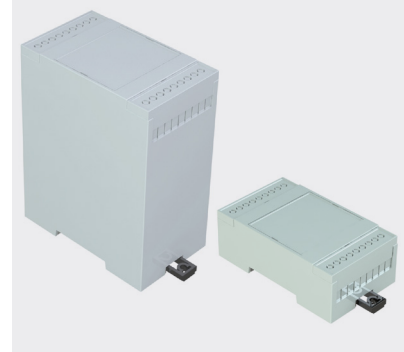
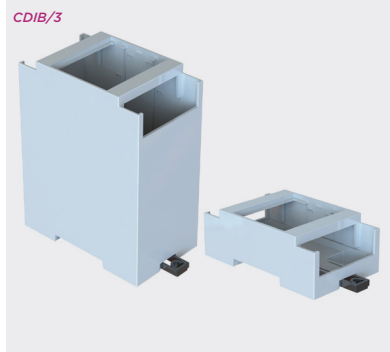


DIN Rail instrument enclosures

Product overview

- Designed for 35mm DIN Rail mounting
- DIN clips can also be used for surface mounting the housing
- Multiple snap-in PCB positions available (horizontal and vertical)
- x2 pillars in the base for screw fixing PCB
- Snap-fit top covers (see CNMB)
- Snap-fit terminal guards (see CNMB)
- Open top and solid top versions available
- Low profile and deep profile variants
- Enclosure base gives isolation from DIN Rail
- Customisation options include cutouts, holes and vents
- Surfaces, covers, terminal guards easily customised and printed
- Moulded in UL94-V0 polycarbonate



SPECIFICATION

Material	Base and body - UL94-V0, polycarbonate clips - POM
Standard colours	RAL 7035
Standard unit includes	Body, base and clips
Accessories	Terminal guards and covers (see CNMB)

PART NO.	DESCRIPTION
CDIB/3/L2	CDIB, size 3, low profile, open top, open sides
CDIB/3ST/L2	CDIB, size 3, low profile, solid top, open sides
CDIB/3/D2	CDIB, size 3, deep profile, open top, open sides
CDIB/3ST/D2	CDIB, size 3, deep profile, solid top, open sides
CDIB/6/L2	CDIB, size 6, low profile, open top, open sides
CDIB/6ST/L2	CDIB, size 6, low profile, solid top, open sides
CDIB/6/D2	CDIB, size 6, deep profile, open top, open sides
CDIB/6ST/D2	CDIB, size 6, deep profile, solid top, open sides

KITS

- Each kit contains one grey panel cover and a selection of solid and perforated terminal guards

COMPONENT	BASE	COVER
KIT PART NO.		/PG
CDIB/3/L2/KIT	1	1
CDIB/3ST/L2/KIT	1	1
CDIB/3/D2/KIT	1	0
CDIB/3ST/D2/KIT	1	0
CDIB/6/L2/KIT	1	1
CDIB/6/D2/KIT	1	1
CDIB/6ST/D2/KIT	1	0
CDIB/6ST/L2/KIT	1	0

COMPONENT	TERMINAL	GUARD
KIT PART NO.	/TG508P	/TGS
CDIB/3/L2/KIT	2	1
CDIB/3ST/L2/KIT	2	1
CDIB/3/D2/KIT	2	1
CDIB/3ST/D2/KIT	2	1
CDIB/6/L2/KIT	4	2
CDIB/6/D2/KIT	4	2
CDIB/6ST/D2/KIT	4	2
CDIB/6ST/L2/KIT	4	2

