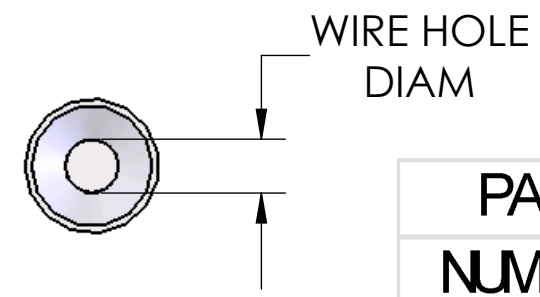
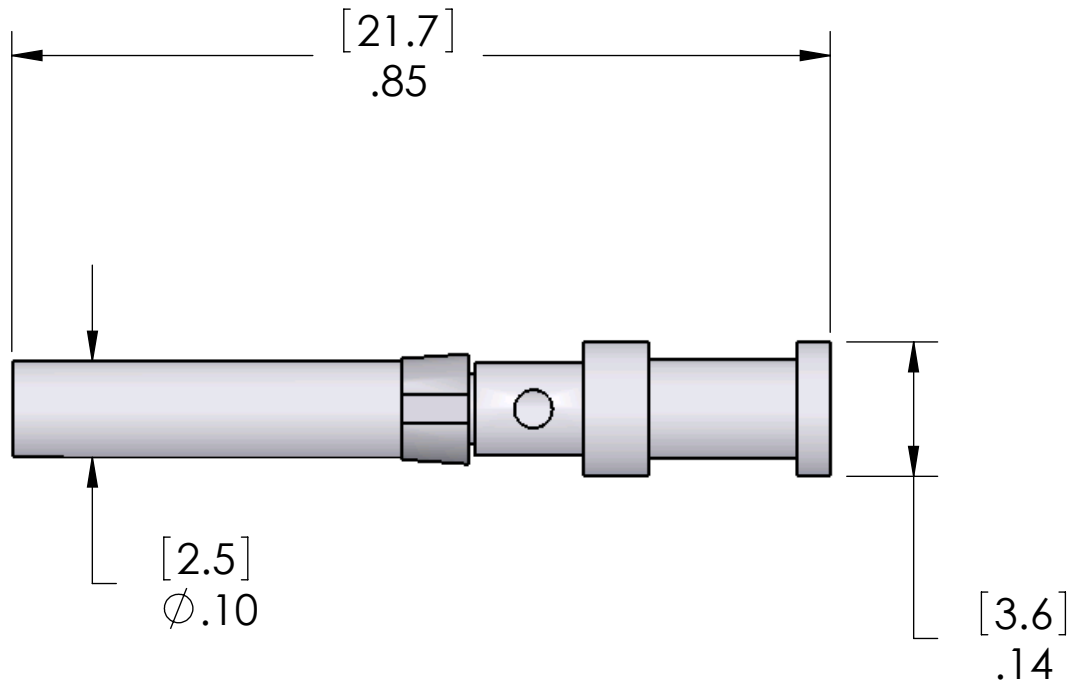


REVISIONS			
REV.	DESCRIPTION	DATE	APPROVED
A	REDRAWN IN SW	7/27/2006	



SUGGESTED WIRE STRIP: 0.31 [8]

PART NUMBER	WIRE AVG	WIRE HOLE DIAM	SQ. MM
CDFA-0.3	22 - 26	0.035 [0.9]	0.3
CDFA-0.5	20	0.043 [1.1]	0.5
CDFA-0.7	18	0.051 [1.3]	0.75
CDFA-1.0	18	0.057 [1.45]	1.0
CDFA-1.5	16	0.071 [1.8]	1.5
CDFA-2.5	14	0.087 [2.2]	2.5

MATERIALS	
BODY:	SILVER PLATED COPPER ALLOY
CLIP:	STAINLESS STEEL

PROPRIETARY AND CONFIDENTIAL
 THE INFORMATION CONTAINED IN THIS DRAWING IS THE SOLE PROPERTY OF MENCOM CORPORATION. ANY REPRODUCTION IN PART OR AS A WHOLE WITHOUT THE WRITTEN PERMISSION OF MENCOM CORPORATION IS PROHIBITED.

UNLESS OTHERWISE SPECIFIED:
 DIMENSIONS ARE IN INCHES AND [MM]
 MATERIAL
 FINISH
 DO NOT SCALE DRAWING

NAME
 DWM
 DRAWN
 CHECKED
 ENG APPR.
 MFG APPR.
 Q.A.
 COMMENTS:

MENCOM CORPORATION
 TITLE:
 10A FEMALE CRIMP CONTACT
 SIZE DWG. NO. REV
B CDFA-X.X **A**
 SCALE: 5:1 WEIGHT: SHEET 1 OF 1