

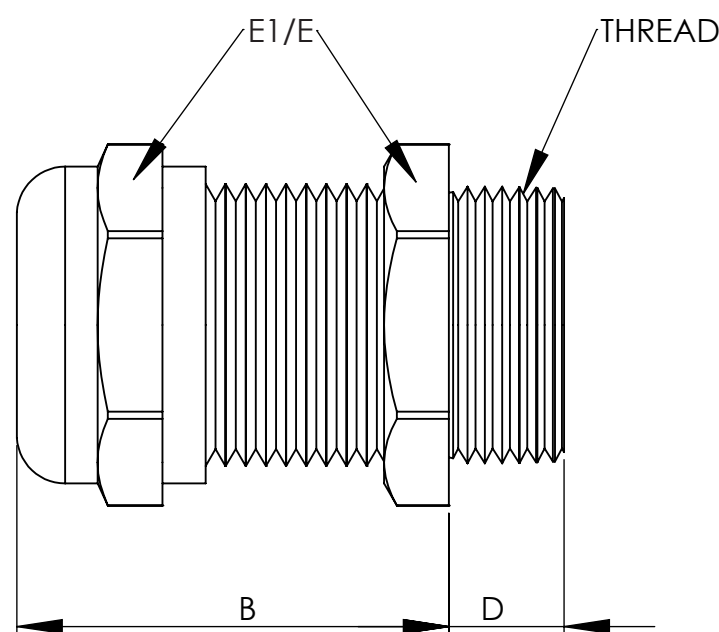
SPECIFICATIONS:

Pressure rating:
150 PSIG (10 BAR) NEMA 4x and 6
(Submersible) IP68

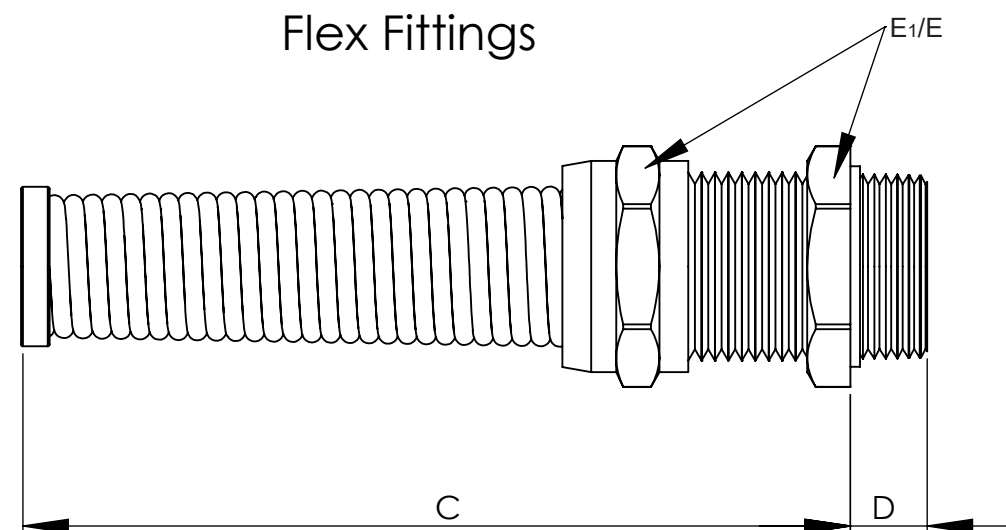
Materials:
Body & Nut: Nickel Plated Brass
Splined Bushing: Nickel Plated Nylon (-FE)
Nylon (-BE)
Form Seal & O-Ring: Buna-N
Operating Temperature:
-40°F to 212°F (-40°C to 100°C)

PART NUMBERS			CABLE RANGE inches (mm)	THREAD TYPE AND SIZE For thread specs see page 29	DIMENSIONS INCHES (MM)					
Standard		Feed-Through			A Clearance Hole $+0.010$ 0 $+25\text{mm}$ 0	B Body Height Dome Fittings		C Body Height Flex Fittings	D Thread Length Fittings	E1/E Wrenching Flats Fittings
Dome Fittings	Flex Fittings	Dome Fittings				-BE	-FE			
CD07AA-BE CD07AR-BE	CF07AA-BE CF07AR-BE	CD07AA-FE	.11 - .26 (3 - 6.5) .08 - .20 (2 - 5)	PG 7 1/4" NPT	.49 (12)	.75 (19)	.94 (24)	2.16 (55)	.20 (5)	.55 (14)
CD09AA-BE CD09AR-BE	CF09AA-BE CF09AR-BE	CD09AA-FE	.16 - .31 (4 - 8) .08 - .24 (2 - 6)	PG 9	.60 (15)	.82 (21)	1.10 (28)	2.60 (66)	.24 (6)	.67 (17)
CD09NA-BE CD09NR-BE	CF09NA-BE CF09NR-BE	CD09NA-FE	.16 - .31 (4 - 8) .08 - .24 (2 - 6)	3/8" NPT	.68 (17)	.82 (21)	1.14 (29)	2.60 (66)	.59 (15)	.67(17) / .75(19) .67(17) / .75(19)
CD11AA-BE CD11AR-BE	CF11AA-BE CF11AR-BE	CD11AA-FE	.20 - .39 (5 - 10) .11 - .27 (3 - 7)	PG 11	.73 (18)	.87 (22)	1.14 (29)	3.03 (77)	.24 (6)	.79 (20)
CD13AA-BE CD13AR-BE	CF13AA-BE CF13AR-BE	CD13AA-FE	.24 - .47 (6 - 12) .20 - .35 (5 - 9)	PG 13.5	.80 (20)	.94 (24)	1.22 (31)	3.46 (88)	.26 (6.5)	.87 (22)
CD13NA-BE CD13NR-BE	CF13NA-BE CF13NR-BE	CD13NA-FE	.24 - .47 (6 - 12) .20 - .35 (5 - 9)	1/2" NPT	.83 (21)	.94 (24)	1.28 (33)	3.46 (88)	.51 (13)	.87(22) / .94(24) .87(22) / .94(24)
CD16AA-BE CD16AR-BE	CF16AA-BE CF16AR-BE	CD16AA-FE	.39 - .55 (10 - 14) .27 - .47 (7 - 12)	PG 16	.88 (22)	.91 (23)	1.26 (32)	3.86 (98)	.26 (6.5)	.94 (24)
CD21AA-BE CD21AR-BE	CF21AA-BE CF21AR-BE	CD21AA-FE	.51 - .71 (13 - 18) .35 - .63 (9 - 16)	PG 21	1.12 (28)	.94 (24)	1.50 (38)	4.37 (111)	.27 (7)	1.18 (30)
CD21NA-BE CD21NR-BE	CF21NA-BE CF21NR-BE	CD21NA-FE	.51 - .71 (13 - 18) .35 - .63 (9 - 16)	3/4" NPT	1.05 (27)	.98 (25)	1.53 (39)	4.37 (111)	.51 (13)	1.18 (30)
CD29AA-BE CD29AR-BE		CD29AA-FE	.71 - .98 (18 - 25) .51 - .79 (13 - 20)	PG 29	1.47 (37)	1.14 (29)	1.69 (43)	--	.31 (8)	1.57 (40)
CD36AA-BE CD36AR-BE		CD36AA-FE	.87 - 1.26 (22 - 32) .79 - 1.02 (20 - 26)	PG 36	1.85 (47)	1.38 (35)	1.89 (48)	--	.31 (8)	1.97 (50)
CD42AA-BE CD42AR-BE		CD42AA-FE	1.26 - 1.50 (32 - 38) .98 - 1.22 (25 - 31)	PG 42	2.13 (54)	1.46 (37)	1.77 (45)	--	.35 (9)	2.24 (57)
CD48AA-BE CD48AR-BE		CD48AA-FE	1.46 - 1.73 (37 - 44) 1.14 - 1.38 (29 - 35)	PG48	2.34 (59)	1.50 (38)	1.81 (46)	--	.39 (10)	2.52 (64)

Dome Fittings



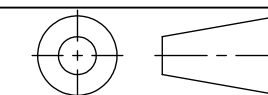
Flex Fittings



NOTES:

- 1) GENERAL DIMENSIONS DRAWINGS.
- 2) DIMENSIONS [] ARE IN INCHES.
- 3) DIMENSIONS NOTED ARE FOR REFERENCE ONLY.

Third angle projection



14853 HINDSDALE AVE, SUITE D
CENTENNIAL, CO 80112-4240, USA
TEL: +1-303-699-1135
TOLL FREE: +1-800-456-9012
E MAIL: info@sealconusa.com,
WEBSITE: www.sealconusa.com

