

**SPECIFICATIONS:**

**Pressure rating:**

150 PSIG (10 BAR) NEMA 4x and 6  
(Submersible) IP68

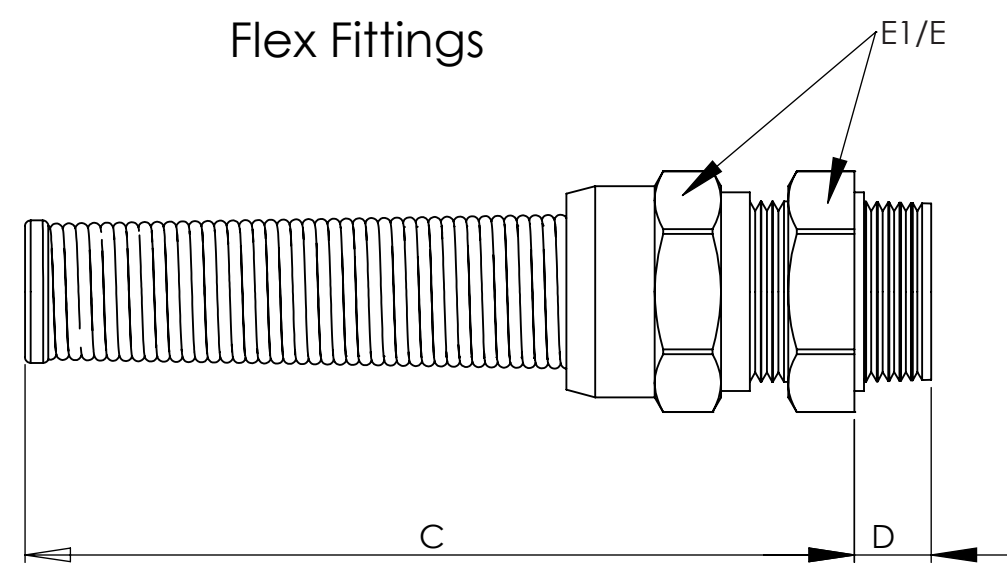
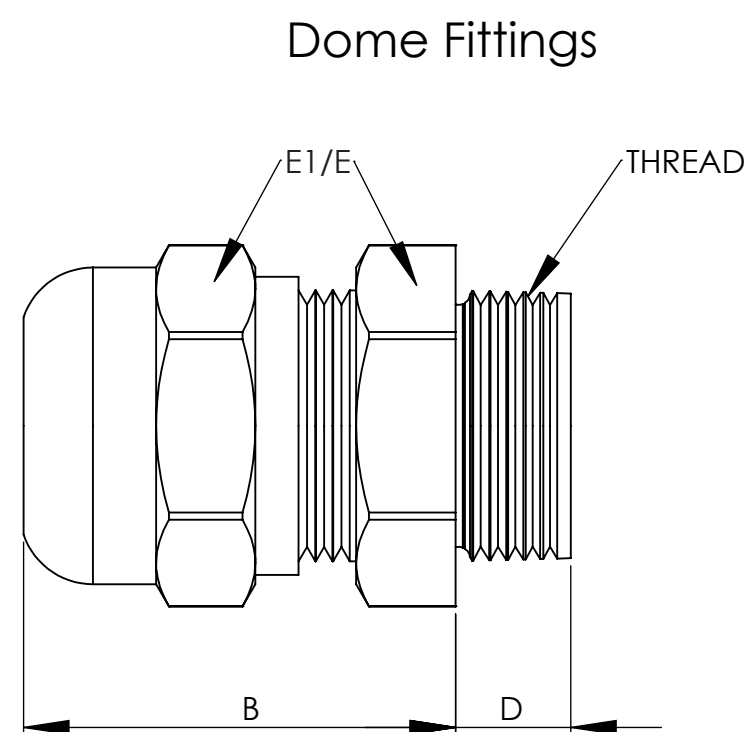
**Materials:**

Body & Nut: Nickel Plated Brass  
Splined Bushing: Nickel Plated Nylon (-FE)  
Nylon (-BE)

Form Seal & O-Ring: Buna-N

**Operating Temperature:**

-40°F to 212°F (-40°C to 100°C)

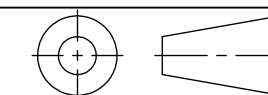


PART NUMBERS			CABLE RANGE	THREAD TYPE AND SIZE For thread specs see page 29	DIMENSIONS INCHES (MM)					
Standard		Feed-Through			A Clearance Hole $+0.10^{\circ}$ $-0.25^{\circ}$ mm	B Body Height Dome Fittings		C Body Height Flex Fittings	D Thread Length Fittings	E1/E Wrenching Flats Fittings
Dome Fittings	Flex Fittings	Dome Fittings	inches (mm)	-BE		-FE				
CD12MA-BE CD12MR-BE	CF12MA-BE CF12MR-BE	CD12MA-FE	.11 - .26 (3-6.5) .08 - .20 (2-5)	M12 x 1.5	.47 (12)	.75 (19)	.98 (25)	2.16 (55)	.20 (5)	.55 (14)
CD16MA-BE CD16MR-BE	CF16MA-BE CF16MR-BE	CD16MA-FE	.20 - .39 (5-10) .11 - .27 (3-7)	M16 x 1.5	.62(16)	.87 (22)	1.26 (32)	3.03 (77)	.24 (6)	.79 (20)
CD20MA-BE CD20MR-BE	CF20MA-BE CF20MR-BE	CD20MA-FE	.39 - .55 (10-14) .27 - .47 (7-12)	M20 x 1.5	.80 (20)	.91 (23)	1.30 (33)	3.86 (98)	.24 (6)	.94 (24)
CD25MA-BE CD25MR-BE	CF25MA-BE CF25MR-BE	CD25MA-FE	.51 - .71 (13-18) .35 - .63 (9-16)	M25 x 1.5	.98 (25)	.94 (24)	1.54 (39)	4.37 (111)	.27 (7)	1.18 (30)
CD32MA-BE CD32MR-BE		CD32MA-FE	.71 - .98 (18-25) .51 - .79 (13-20)	M32 x 1.5	1.25 (32)	1.22 (31)	1.77 (45)	--	.31 (8)	1.57 (40)
CD40MA-BE CD40MR-BE		CD40MA-FE	.87 - 1.26 (22-32) .79 - 1.02 (20-26)	M40 x 1.5	1.57 (40)	1.46 (37)	2.01 (51)	--	.31 (8)	1.97 (50)
CD50MA-BE CD50MR-BE		CD50MA-FE	1.26 - 1.50 (32-38) .98 - 1.22 (25-31)	M50 x 1.5	1.97 (50)	1.46 (37)	2.24 (57.5)	--	.35 (9)	2.24 (57)
CD63MA-BE CD63MR-BE		CD63MA-FE	1.46 - 1.73 (37-44) 1.14 - 1.38 (29-35)	M63 x 1.5	2.48 (63)	1.50 (38)	2.05 (52)	--	.39(10)	2.52(64)/2.68(68) 2.52(64)/2.68(68)
		CD16MR-FE	.16 - .31 (4-8)	M16 x 1.5	.62 (16)		1.14 (29)		.24 (6)	.67 (17) / .75 (19)
		CD20MR-FE	.24 - .47 (6-12)	M20 x 1.5	.80 (20)		1.28 (32.5)		.24 (6)	.87 (22)

**NOTES:**

- 1) GENERAL DIMENSIONS DRAWINGS.
- 2) DIMENSIONS [ ] ARE IN INCHES.
- 3) DIMENSIONS NOTED ARE FOR REFERENCE ONLY.

Third angle projection



14853 HINDSDALE AVE, SUITE D  
CENTENNIAL, CO 80112-4240, USA  
TEL: +1-303-699-1135  
TOLL FREE: +1-800-456-9012  
E MAIL: [info@sealconusa.com](mailto:info@sealconusa.com),  
WEBSITE: [www.sealconusa.com](http://www.sealconusa.com)

