

4

3

2

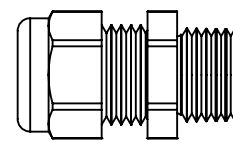
1

## PART NUMBERS

## CABLE RANGE

## DIMENSIONS INCHES (MM)

## Dome Fittings



## Flex Fittings



THREAD  
TYPE AND  
SIZE  
For thread  
specs see  
page 29

A  
Clearance  
HoleB  
Body  
LengthC  
Body  
LengthD  
Thread  
LengthF<sub>1</sub>/F  
Wrenching  
Flats

Black

Gray

Black

Gray

inches (mm)

+0.010"  
0+0.25 mm  
0

Dome

Flex

.31 (8)

.59 (15)

CD07AA-BK  
CD07AR-BKCD07AA-GY  
CD07AR-GYCF07AA-BK  
CF07AR-BKCF07AA-GY  
CF07AR-GY.11 - .26 (3 - 6.5)  
.08 - .20 (2 - 5)PG 7  
1/4" NPT

.49 (12.5)

.83 (21)

2.13 (54)

.31 (8)

.59 (15)

CD09AA-BK  
CD09AR-BKCD09AA-GY  
CD09AR-GYCF09AA-BK  
CF09AR-BKCF09AA-GY  
CF09AR-GY.16 - .31 (4 - 8)  
.08 - .24 (2 - 6)

PG 9

.60 (15.2)

.87 (22)

2.48 (63)

.31 (8)

.75 (19)

CD09NA-BK  
CD09NR-BKCD09NA-GY  
CD09NR-GYCF09NA-BK  
CF09NR-BKCF09NA-GY  
CF09NR-GY.16 - .31 (4 - 8)  
.08 - .24 (2 - 6)

3/8" NPT

.68 (17.2)

.87 (22)

2.48 (63)

.59 (15)

.87(22) / .75(19)  
.87(22) / .75(19)CD11AA-BK  
CD11AR-BKCD11AA-GY  
CD11AR-GYCF11AA-BK  
CF11AR-BKCF11AA-GY  
CF11AR-GY.20 - .39 (5 - 10)  
.11 - .27 (3 - 7)

PG 11

.73 (18.5)

.98 (25)

3.07 (78)

.31 (8)

.87 (22)

CD13AA-BK  
CD13AR-BKCD13AA-GY  
CD13AR-GYCF13AA-BK  
CF13AR-BKCF13AA-GY  
CF13AR-GY.24 - .47 (6 - 12)  
.20 - .35 (5 - 9)

PG 13.5

.80 (20.3)

1.06 (27)

3.54 (90)

.35 (9)

.94 (24)

CD13NA-BK  
CD13NR-BKCD13NA-GY  
CD13NR-GYCF13NA-BK  
CF13NR-BKCF13NA-GY  
CF13NR-GY.24 - .47 (6 - 12)  
.20 - .35 (5 - 9)

1/2" NPT

.83 (21.1)

1.06 (27)

3.54 (90)

.51 (13)

.94 (24)

CD16NA-BK  
CD16NR-BKCD16NA-GY  
CD16NR-GYCF16NA-BK  
CF16NR-BKCF16NA-GY  
CF16NR-GY.39 - .55 (10 - 14)  
.27 - .47 (7 - 12)

1/2" NPT

.83 (21.1)

1.10 (28)

3.94 (100)

.51 (13)

1.06 (27)

CD16AA-BK  
CD16AR-BKCD16AA-GY  
CD16AR-GYCF16AA-BK  
CF16AR-BKCF16AA-GY  
CF16AR-GY.39 - .55 (10 - 14)  
.27 - .47 (7 - 12)

PG 16

.88 (22.3)

1.10 (28)

3.94 (100)

.39 (10)

1.06 (27)

CD21AA-BK  
CD21AR-BKCD21AA-GY  
CD21AR-GYCF21AA-BK  
CF21AR-BKCF21AA-GY  
CF21AR-GY.51 - .71 (13 - 18)  
.35 - .63 (9 - 16)

PG 21

1.12 (28.4)

1.22 (31)

4.49 (114)

.43 (11)

1.30 (33)

CD21NA-BK  
CD21NR-BKCD21NA-GY  
CD21NR-GYCF21NA-BK  
CF21NR-BKCF21NA-GY  
CF21NR-GY.51 - .71 (13 - 18)  
.35 - .63 (9 - 16)

3/4" NPT

1.05 (26.7)

1.22 (31)

4.49 (114)

.55 (14)

1.30 (33)

CD29AA-BK  
CD29AR-BKCD29AA-GY  
CD29AR-GY.71 - .98 (18 - 25)  
.51 - .79 (13 - 20)

PG 29

1.47 (37.3)

1.53 (39)

--

.43 (11)

1.65 (42)

CD29NA-BK  
CD29NR-BKCD29NA-GY  
CD29NR-GY.71 - .98 (18 - 25)  
.51 - .79 (13 - 20)

1" NPT

1.35 (34.3)

1.53 (39)

--

.75 (19)

1.65 (42)

CD29LA-BK  
CD29LR-BKCD29LA-GY  
CD29LR-GY.71 - .98 (18 - 25)  
.51 - .79 (13 - 20)

1-1/4" NPT

1.65 (41.9)

1.53 (39)

--

.63 (16)

1.81(46)/1.65(42)  
1.81(46)/1.65(42)CD36AA-BK  
CD36AR-BKCD36AA-GY  
CD36AR-GY.87 - 1.26 (22 - 32)  
.79 - 1.02 (20 - 26)

PG 36

1.85 (47.0)

1.89 (48)

--

.51 (13)

2.09 (53)

CD36NA-BK  
CD36NR-BKCD36NA-GY  
CD36NR-GY.87 - 1.26 (22 - 32)  
.79 - 1.02 (20 - 26)

1-1/2" NPT

1.92 (48.7)

1.89 (48)

--

.79 (20)

2.09 (53)

CD42AA-BK  
CD42AR-BKCD42AA-GY  
CD42AR-GY1.26 - 1.50 (32 - 38)  
.98 - 1.22 (25 - 31)

PG 42

2.13 (54.1)

1.93 (49)

--

.51 (13)

2.36 (60)

CD48AA-BK  
CD48AR-BKCD48AA-GY  
CD48AR-GY1.46 - 1.73 (37 - 44)  
1.14 - 1.38 (29 - 35)

PG48

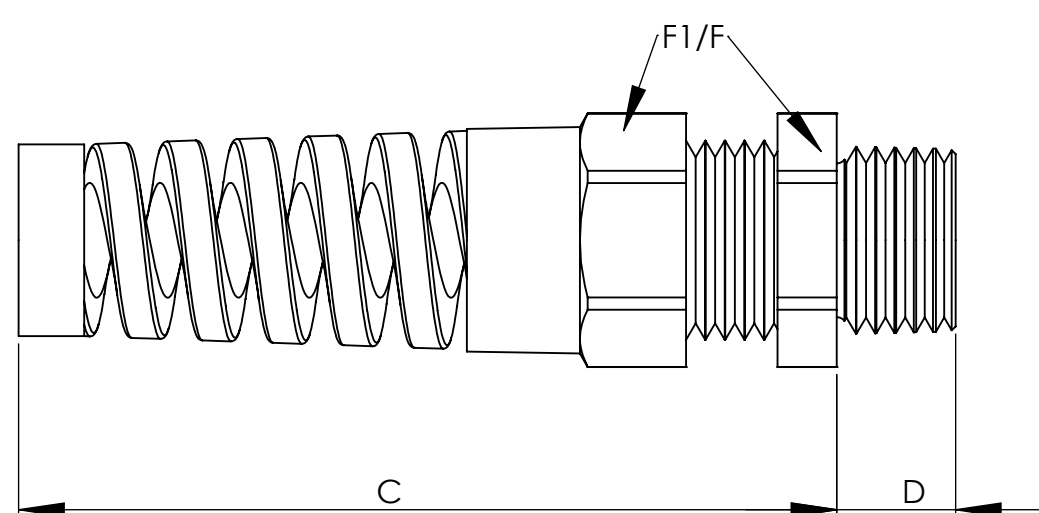
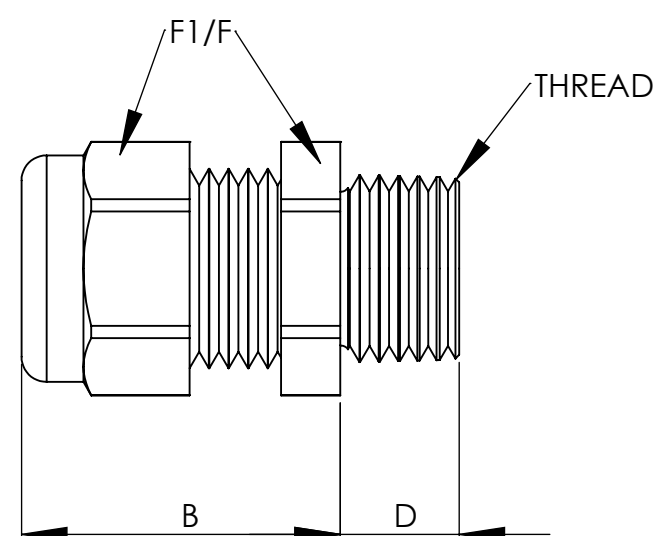
2.34 (59.4)

1.93 (49)

--

.55 (14)

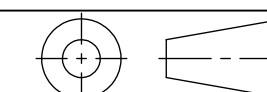
2.36 (60)



## NOTES:

- 1) GENERAL DIMENSIONS DRAWINGS.
- 2) DIMENSIONS [ ] ARE IN INCHES.
- 3) DIMENSIONS NOTED ARE FOR REFERENCE ONLY.

Third angle projection



14853 HINDSDALE AVE, SUITE D  
CENTENNIAL, CO 80112-4240, USA  
TEL: +1-303-699-1135  
TOLL FREE: +1-800-456-9012  
E MAIL: [info@sealconusa.com](mailto:info@sealconusa.com),  
WEBSITE: [www.sealconusa.com](http://www.sealconusa.com)

4

3

2