

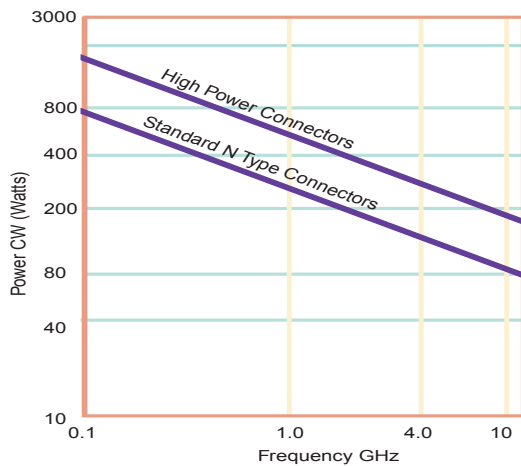


Commercial CCS-47 High Power Transfer DC-12GHz Latching

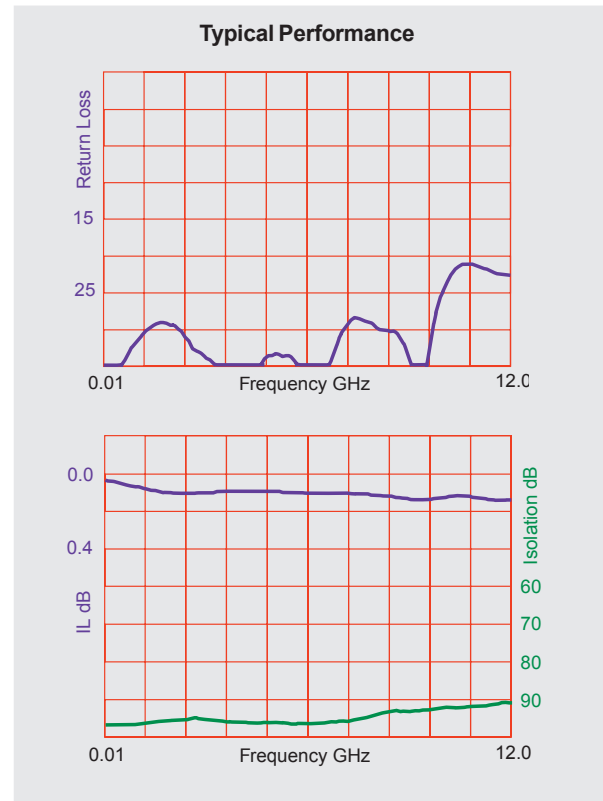
The Type CCS-47 is a long life, high performance transfer or crossover switch designed for use in 50 Ohms coaxial transmission lines. The switch is available with either failsafe or latching type actuation operating from a variety of voltage supplies. The primary advantage of this switch over the miniature versions shown on previous pages, is the higher power handling capability.

Specifications

RF Contacts:	Break before make						
Actuator	Voltage (VDC) 20°C						
	<table border="1"> <tr> <td>12</td> <td>15</td> <td>28</td> </tr> <tr> <td>160</td> <td>130</td> <td>60</td> </tr> </table>	12	15	28	160	130	60
12	15	28					
160	130	60					
	Current (mA)						
Switching Time:	15 msec max						
Connectors:	N-Type (f), TNC (f)(max frequency 11GHz only) or SMA(f)						
Weight:	6 oz. max						
Temperature Range:	-40°C to +65°C (Operating)						
Shock:	MIL-STD-202 Method 213, Condition D (500G Non Operating)						
Vibration:	MIL-STD-202 Method 214, Condition D (10G RMS Non Operating)						
Humidity:	Moisture Seal Available						
Typical Contact Life:	5 Million Cycles						
RF Power Handling:							



Specifications	DC-1 GHz	1-4 GHz	4-12 GHz
VSWR (max)	1.25:1	1.40:1	1.80:1
Insertion Loss (min)	0.30 dB	0.40 dB	0.50 dB
Isolation (max)	70.0 dB	60.0 dB	60.0 dB

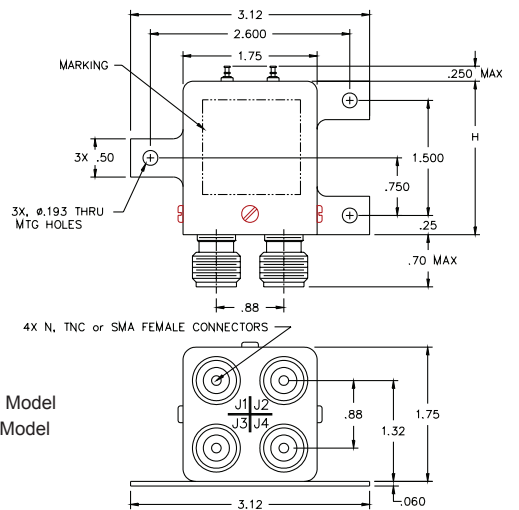
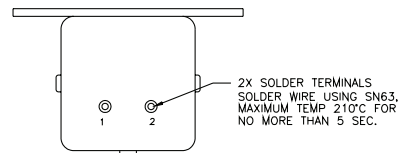
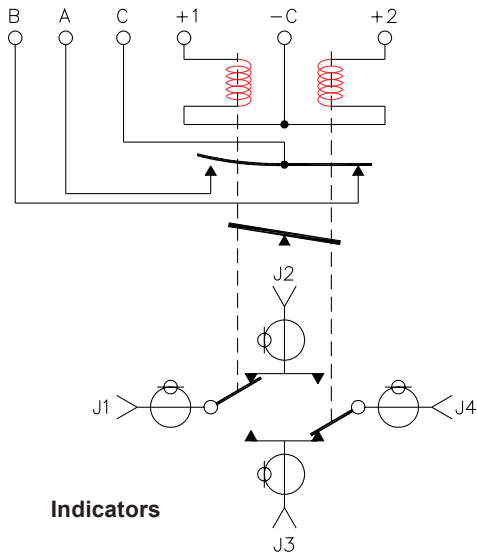
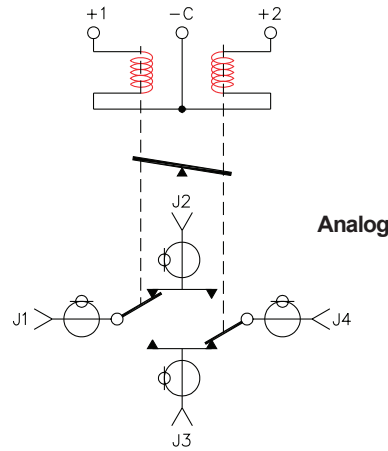
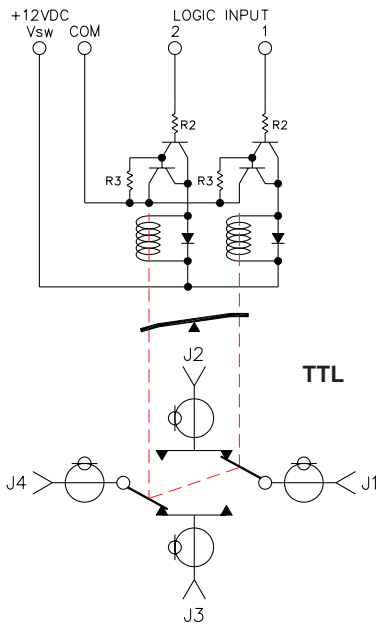


Specifications subject to change without notice.

www.teledynecoax.com
email: coax@teledyne.com

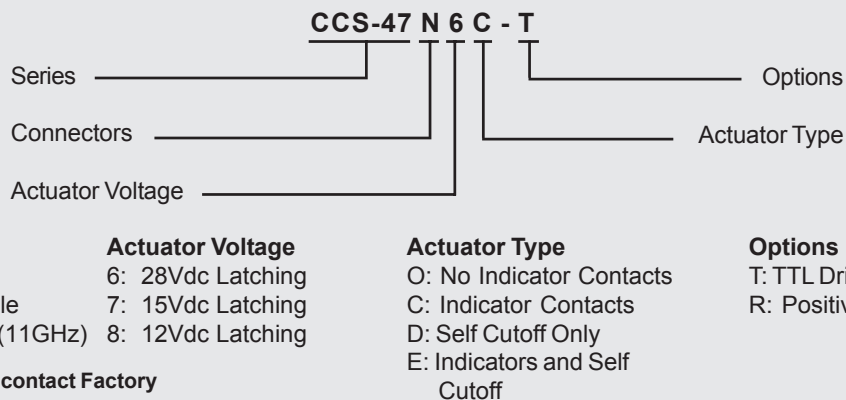
Tel: (800) 351-7368
10/2007

Commercial CCS-47 High Power Transfer DC-12GHz Latching



H = 2.10 STD Model
H = 2.60 TTL Model

Part Numbering System for CCS-47 (Latching)



Specifications subject to change without notice.

www.teledynecoax.com
email: coax@teledyne.com

Tel: (800) 351-7368
10/2007