



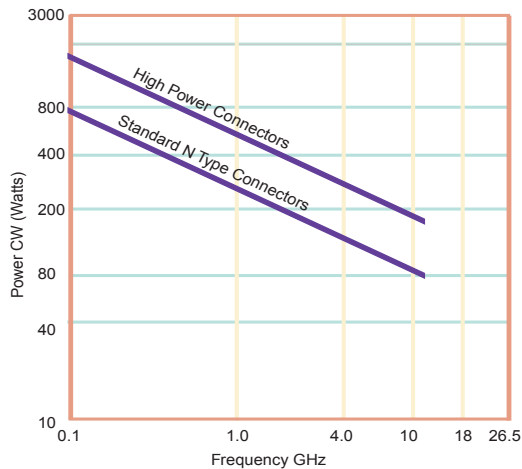
Commercial CCS-32 High Power DC-12GHz SPDT Switch Failsafe

The CCS-32 is a broadband, SPDT Switch designed to switch microwave signals from a common input to either of two outputs. Designed for 50 Ohms transmission lines. The switch is available with either failsafe or latching type actuators operating on 28 VDC or other special DC voltages. The primary advantage of this switch over the miniature versions, shown on previous pages is more connector options and higher power handling capability.

Specifications

RF Contacts:	Break before make			
Actuator	Voltage (VDC) 20°C	12	15	28
	Current (mA)	625	500	250
Switching Time:	20 msec max			
Connectors:	SMA, TNC, N Type			
Weight:	6 oz. max			
Temperature Range:	-40°C to +65°C (Operating)			
Shock:	MIL-STD-202 Method 213, Condition D (500G Non Operating)			
Vibration:	MIL-STD-202 Method 214, Condition D (10G RMS Non Operating)			
Humidity:	Moisture Seal Available			
Typical Contact Life:	2 Million Cycles			

RF Power Handling



Specifications

	DC-1 GHz	1-4 GHz	4-12 GHz*
VSWR (max)	1.25:1	1.40:1	1.70:1
Insertion Loss (max)	0.30 dB	0.40 dB	0.50 dB
Isolation (min)	70.0 dB	60.0 dB	60.0 dB
*Connector Type	Max (f)		
SMA	12 GHz		
N Type	11.5 GHz		
TNC	11 GHz		



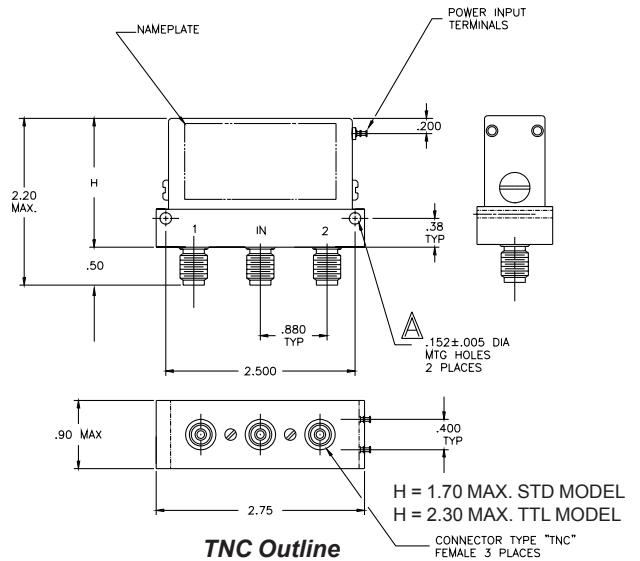
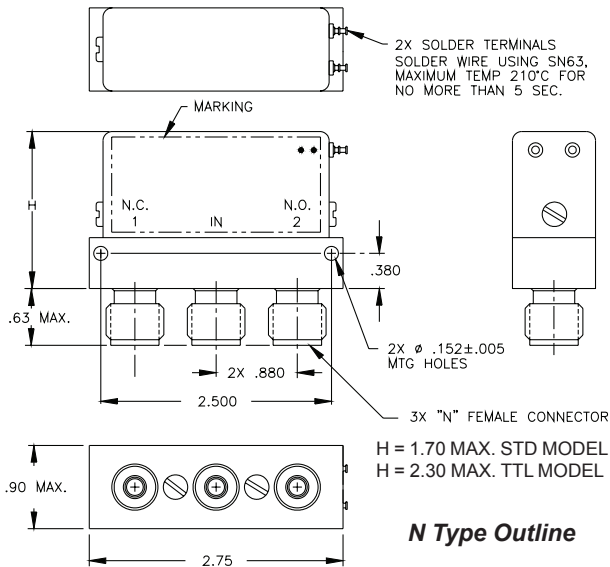
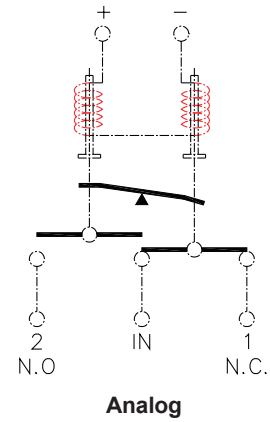
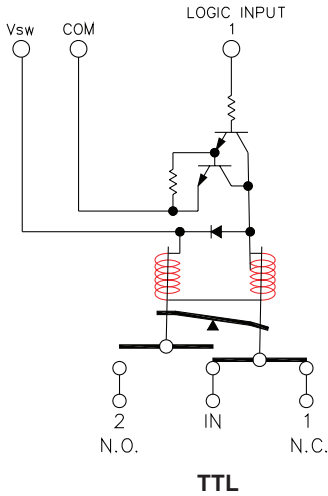
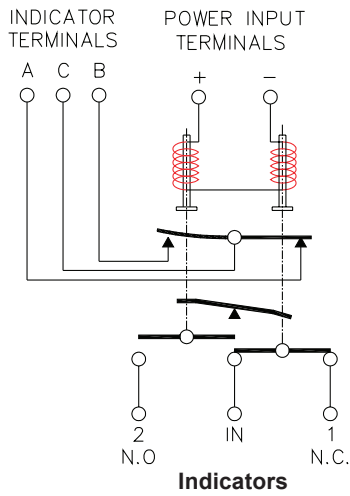
Specifications subject to change without notice.

www.teledynecoax.com
email: coax@teledyne.com

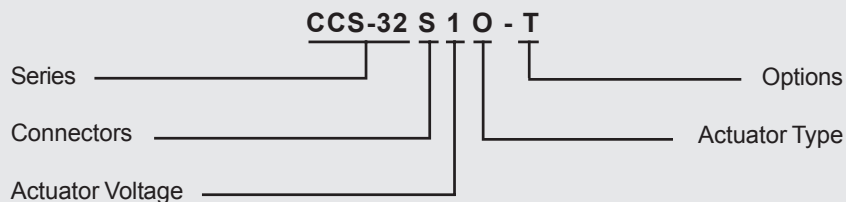
Tel: (800) 351-7368
10/2008

Commercial CCS-32 High Power DC-12GHz SPDT Switch

Failsafe



Part Numbering System for CCS-32 (Failsafe)



Connector

N: N Type Female
T: TNC Female

Actuator Voltage

1: 28Vdc Failsafe
2: 15Vdc Failsafe
3: 12Vdc Failsafe

Actuator Type

O: No Indicator Contacts
C: Indicator Contacts

Options

T: TTL Drivers with Diodes
R: Positive + Common

For other options contact Factory



Specifications subject to change without notice.

www.teledynecoax.com
email: coax@teledyne.com

Tel: (800) 351-7368
10/2008