



# Commercial CCRT-53

## Internal Terminations

### DC-26.5GHz SPDT Switch

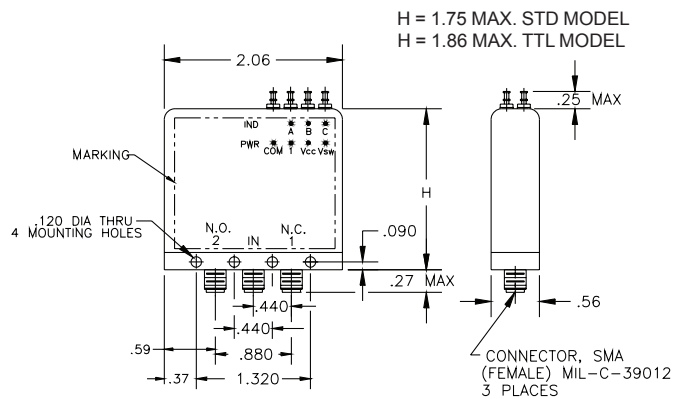
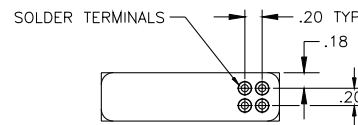
#### Failsafe

The CCRT-53 Switch is an internally terminated, broadband, SPDT, electromechanical coaxial switch designed to switch a microwave signal from a common input to either of two outputs. The characteristic impedance is 50 Ohms. Internal terminations provide an impedance match for the unselected port. The switches are small with the minimum spacing that is compatible with SMA connectors.

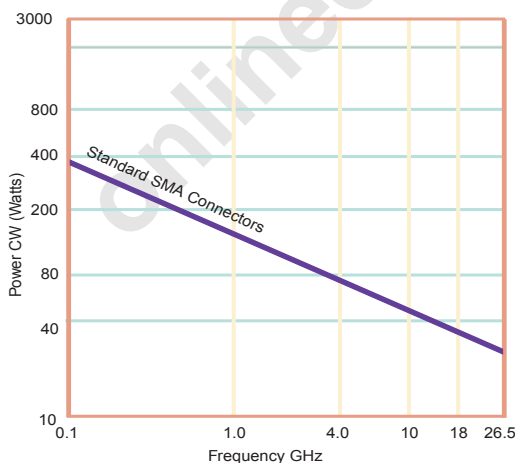
The CCRT-53 is available with either a failsafe or latching actuator.

### Specifications

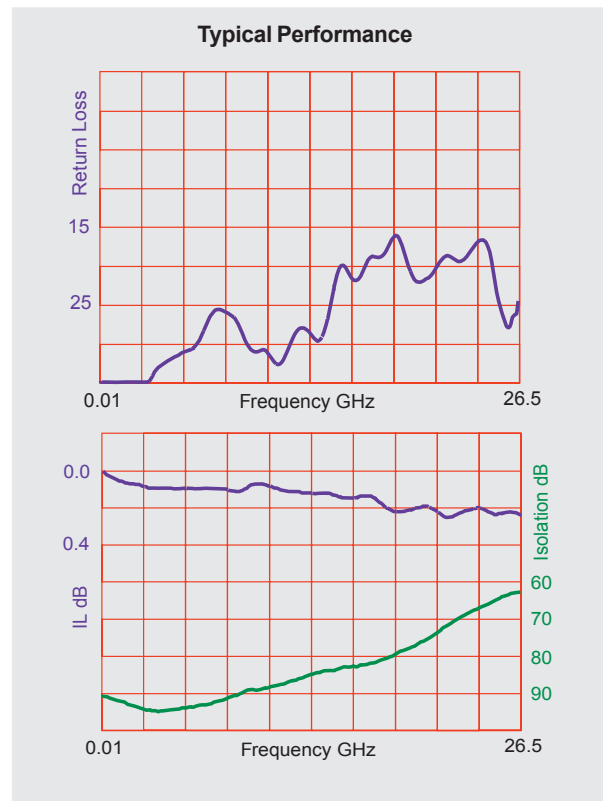
<b>RF Contacts:</b>	Break before make
<b>Actuator</b>	Voltage (VDC) 20°C
	12 15 28
	Current (mA)
	420 350 200
<b>Switching Time:</b>	20 msec max
<b>Terminations:</b>	50 Ohm 2 Watts CW max
<b>Connectors:</b>	SMA (f)
<b>Weight:</b>	2.65 oz. max
<b>Temperature Range:</b>	-40°C to +65°C (Operating)
<b>Shock:</b>	MIL-STD-202 Method 213, Condition D (500G Non Operating)
<b>Vibration:</b>	MIL-STD-202 Method 214, Condition D (10G RMS Non Operating)
<b>Humidity:</b>	Moisture Seal Available
<b>MTBF:</b>	7.3 Million Hours (MIL-HDBK-217F Fixed, 25°C, <1 Cycle per hour)



### RF Power Handling (Non-terminated)



Specifications	DC-6 GHz	6-12 GHz	12-18 GHz	18-26.5GHz
VSWR (max)	1.25:1	1.40:1	1.50:1	1.80:1
Insertion Loss (min)	0.20 dB	0.40 dB	0.50 dB	0.70 dB
Isolation (max)	70.0 dB	60.0 dB	60.0 dB	50.0 dB



Specifications subject to change without notice.

www.teledynecoax.com  
email: coax@teledyne.com

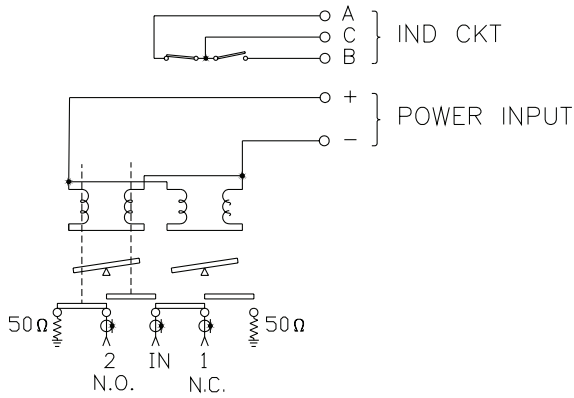
Tel: (800) 351-7368  
10/2007

# Commercial CCRT-53

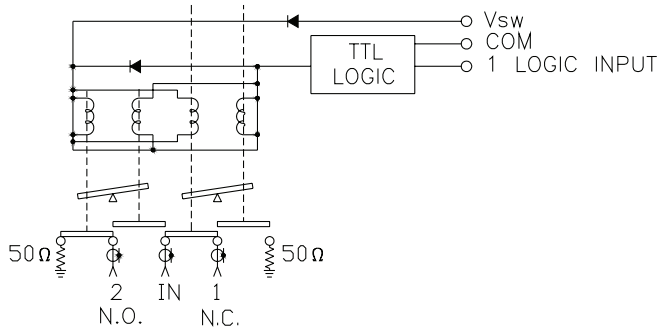
## Internal Terminations

### DC-26.5GHz SPDT Switch

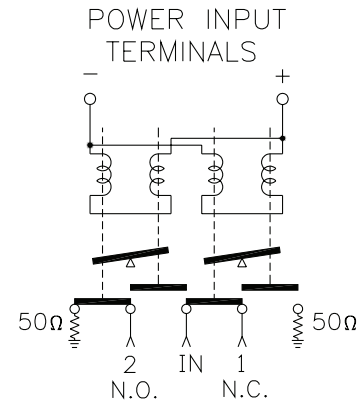
#### Failsafe



Indicators

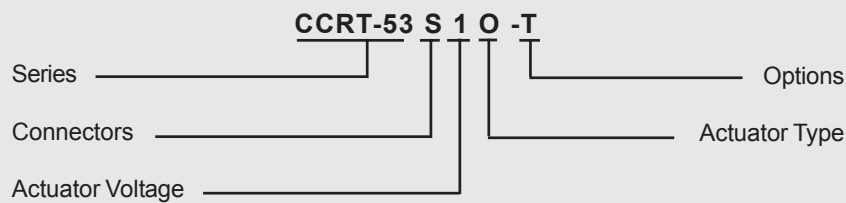


TTL



Analog

### Part Numbering System for CCRT-53 (Failsafe)



**Connector**  
S: SMA Female

**Actuator Voltage**  
1: 28Vdc Failsafe  
2: 15Vdc Failsafe  
3: 12Vdc Failsafe

**Actuator Type**  
O: No Indicator Contacts  
C: Indicator Contacts

**Options**  
T: TTL Drivers with Diodes  
R: Positive + Common

For other options contact Factory