



# Commercial CCR-33 Miniature DC-18GHz SPDT Switch Latching

The CCR-33 Switch is a broadband, SPDT, electromechanical, coaxial switch designed to switch a microwave signal from a common input to either of two outputs. The characteristic impedance is 50 Ohms. The switches are small with connector spacing compatible with SMA connectors.

The CCR-33 series switch is offered with either a failsafe or latching actuator. This design is compatible with the two most common mounting hole patterns. The CCR-33 series switch is interchangeable with a variety of switches.

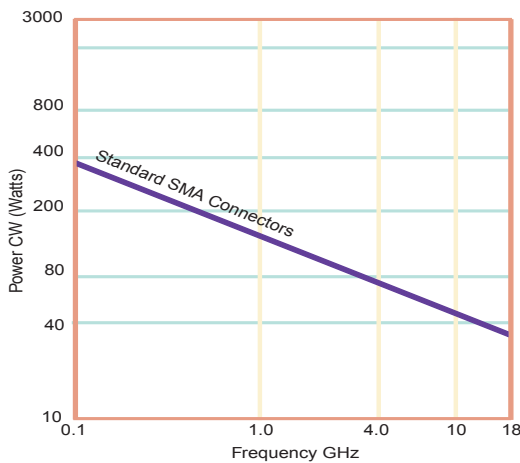
## Specifications

<b>RF Contacts:</b>	Break before make			
<b>Actuator</b>	Voltage (VDC) 20°C	12	15	28
	Current (mA)	140	115	65
<b>Switching Time:</b>	10 msec max			
<b>Connectors:</b>	SMA (f)			
<b>Weight:</b>	1.65 oz. max			
<b>Temperature Range:</b>	-40°C to +65°C (Operating)			
<b>Shock:</b>	MIL-STD-202 Method 213, Condition D (500G Non Operating)			
<b>Vibration:</b>	MIL-STD-202 Method 214, Condition D (10G RMS Non Operating)			
<b>Humidity:</b>	Moisture Seal Available			
<b>Typical Contact Life:</b>	5 Million Cycles			

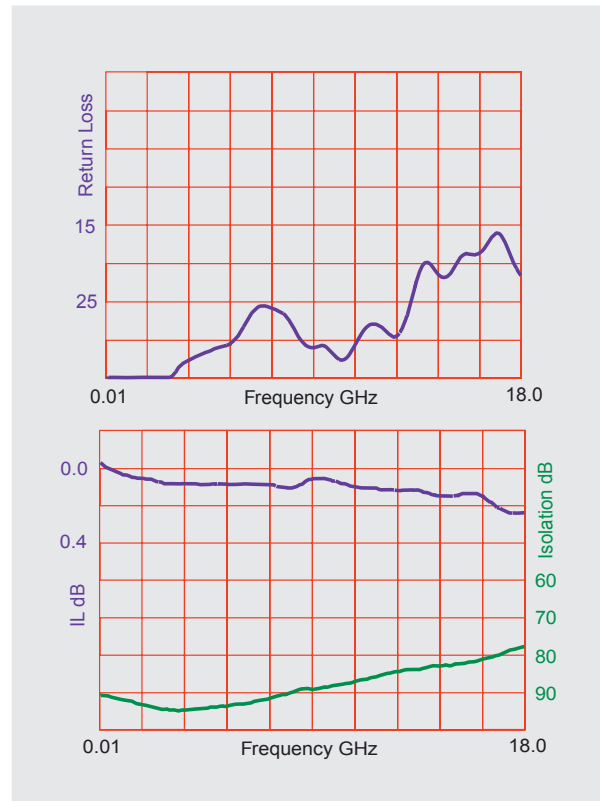
### Insertion Loss Repeatability (1 Million Cycles):

DC to 6 GHz: 0.05 dB  
DC to 20 GHz: 0.1 dB

## RF Power Handling



## Typical Performance



Specifications	DC-6 GHz	6-12 GHz	12-18 GHz
VSWR (max)	1.25:1	1.40:1	1.50:1
Insertion Loss (min)	0.20 dB	0.40 dB	0.50 dB
Isolation (max)	70.0 dB	60.0 dB	60.0 dB

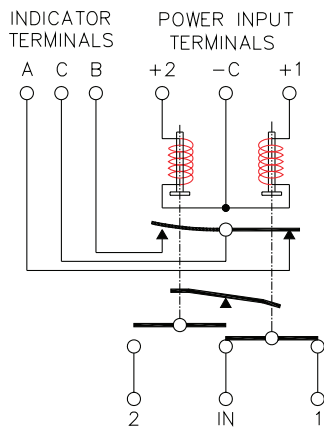


Specifications subject to change without notice.

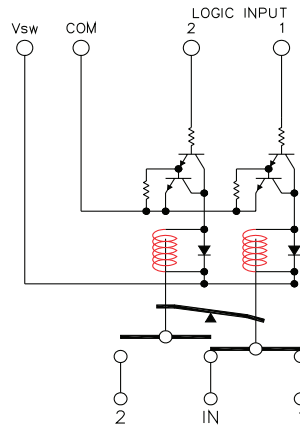
www.teledynecoax.com  
email: coax@teledyne.com

Tel: (800) 351-7368  
10/2007

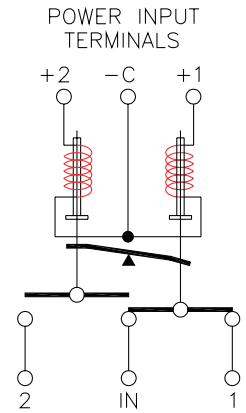
# Commercial CCR-33 Miniature DC-18GHz SPDT Switch Latching



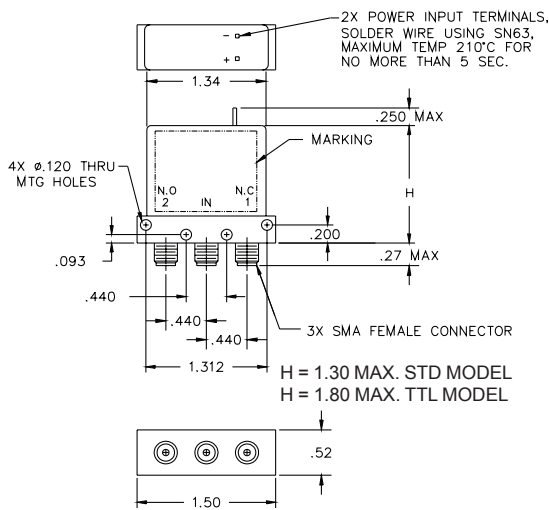
**Indicators**



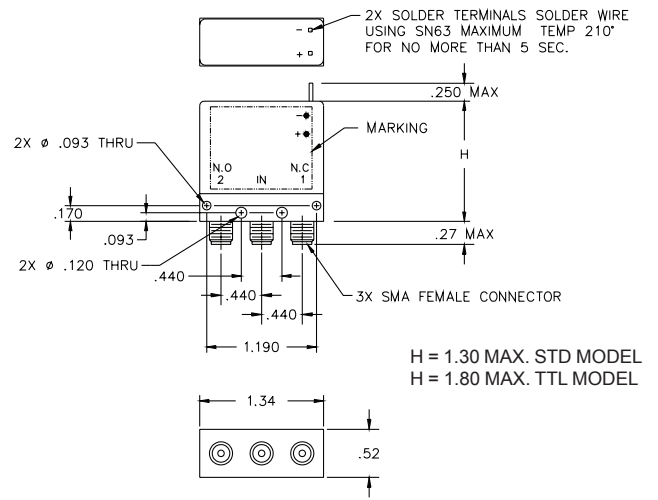
**TTL**



**Analog**

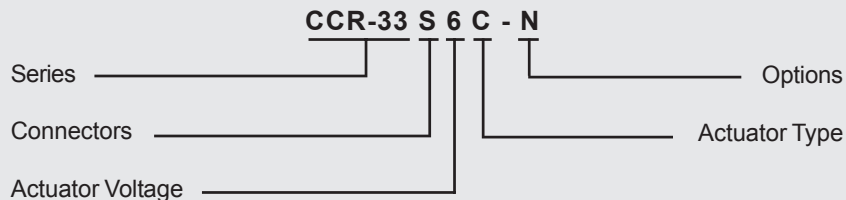


**Standard Width Body**



**Optional Narrow Width Body**

## Part Numbering System for CCR-33 (Latching)



**Connector**  
S: SMA Female #

**Actuator Voltage**  
6: 28Vdc Latching #  
7: 15Vdc Latching #  
8: 12Vdc Latching #

**Actuator Type**  
O: No Indicator Contacts #  
C: Indicator Contacts #  
D: Self Cutoff Only  
E: Indicators and Self Cutoff

**Options**  
T: TTL Drivers with Diodes  
N: Narrow Body #  
R: Positive + Common

For other options contact Factory

#: Stock item subject to prior sale



Specifications subject to change without notice.

www.teledynecoax.com  
email: coax@teledyne.com

Tel: (800) 351-7368  
10/2007