

**Push-Pull Connectors
Female Fixed Socket**

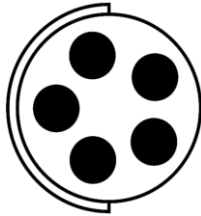
CCM Series

**Part Number: CCM2S1/05
Pole: 5**

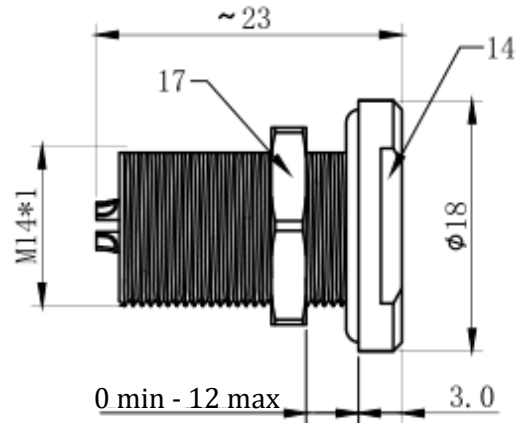
Illustration



Insert Configuration



Size Drawing



Common Values

Shell Style/Model:	DEU type fixed socket, female contact
Codes:	Code 1
Contact Type:	Solder type
Contact Diameter:	0.9mm

Material

Housing Material:	Brass shell; natural chrome plated; brass mid pieces; nickel plated
Insulator:	PPS
Contacts:	Brass (Gold plated)

Electrical Values

Max. Stranded Conductor	AWG21-22
Max Diameter:	0.79mm
Vtest (contact-shell):	1100V(AC) 1900V(DC)
Vtest (contact-contact):	1400V(AC) 2200V(DC)
Rated Current:	6.8A
Rated Voltage:	≤ 250V
Mechanical Operation:	5000 mating cycles

Others

Humidity (max):	≤95% [at 60 deg C /140 F]
Vibration:	15 g [10 Hz - 2000 Hz]
Shock Resistance:	100 g [6 ms]
Salt Spray Corrosion:	>72 hr
Climatical Category:	50/175/21
Shielding (min):	75 dB (10 MHz)
Shielding (min):	40 dB (1 GHz)
IP Rating:	68