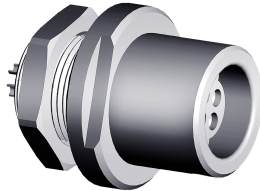


**Push-Pull Connectors  
Female Fixed Socket**

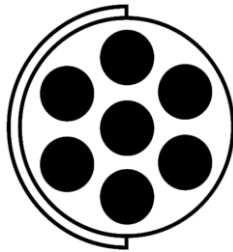
**CCE Series**

**Part Number: CCE1S1/07  
Pole: 7**

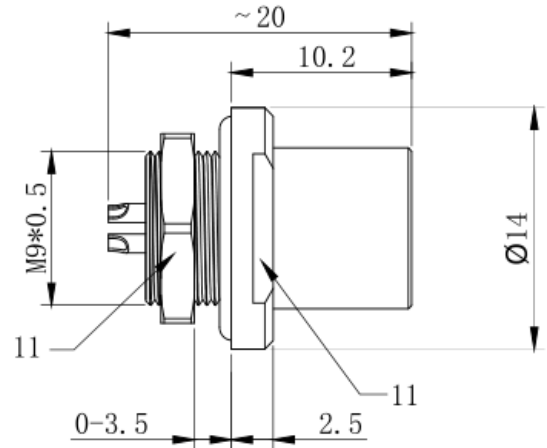
**Illustration**



**Insert Configuration**



**Size Drawing**



**Technical Data**

**Common Values**

Shell Style/Model:	DBEU type fixed socket, female contact
Codes:	Code 1
Contact Type:	Solder type
Contact Diameter:	0.5mm

**Material**

Housing Material:	Brass shell; natural chrome plated; brass mid pieces; nickel plated
Insulator:	PPS
Contacts:	Brass (Gold plated)

**Electrical Values**

Max. Stranded Conductor	AWG26-28
Max Diameter:	0.43mm
Vtest (contact-shell):	800V(AC) 1300V(DC)
Vtest (contact-contact):	1000V(AC) 1800V(DC)
Rated Current:	2.0A
Rated Voltage:	≤160V
Mechanical Operation:	5000 mating cycles

**Others**

Humidity (max):	≤95% [at 60 deg C /140 F]
Vibration:	15 g [10 Hz - 2000 Hz]
Shock Resistance:	100 g [ 6 ms]
Salt Spray Corrosion:	>72 hr
Climatical Category:	50/175/21
Shielding (min):	75 dB (10 MHz)
Shielding (min):	40 dB (1 GHz)
IP Rating:	68