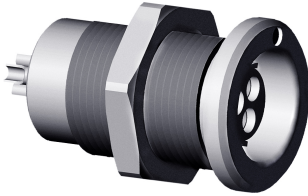


**Push-Pull Connectors
Female Fixed Socket**

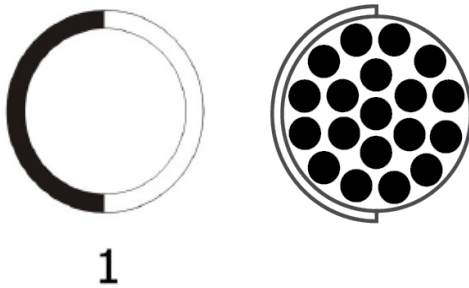
CCB Series

**Part Number: CCB3S1/19
Pole: 19**

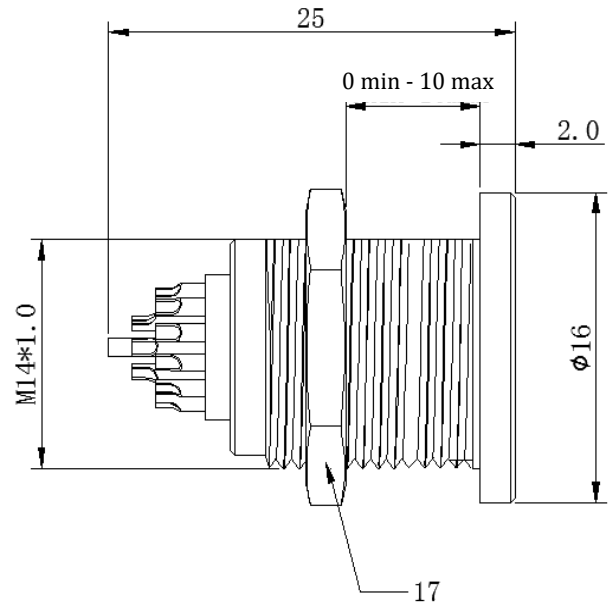
Illustration



Insert Configuration



Size Drawing



Technical Data

Common Values

Shell Style/Model:	D type fixed socket, female contact
Codes:	Code 1
Contact Type:	Solder type
Contact Diameter:	0.5mm

Material

Housing Material:	Brass shell; natural chrome plated; brass mid pieces; nickel plated
Insulator:	PPS
Contacts:	Brass (Gold plated)

Electrical Values

Max. Stranded Conductor	AWG26-28
Max Diameter:	0.43mm
Vtest (contact-shell):	1200V(AC) 2000V(DC)
Vtest (contact-contact):	900V(AC) 1500V(DC)
Rated Current:	2.5A
Rated Voltage:	$\leq 250V$
Mechanical Operation:	5000 mating cycles

Others

Humidity (max):	$\leq 95\%$ [at 60 deg C / 140 F]
Vibration:	15 g [10 Hz - 2000 Hz]
Shock Resistance:	100 g [6 ms]
Salt Spray Corrosion:	>72 hr
Climatical Category:	50/175/21
Shielding (min):	75 dB (10 MHz)
Shielding (min):	40 dB (1 GHz)
IP Rating:	68