

Type CBW57

Thermal Circuit Breaker

Push to Reset – Low Profile



www.optifuse.com (619) 593-5050

Specifications:

Push to Reset – Low Profile
 Amperage Range: 3A - 30A
 Voltage: 125 / 250 VAC, 32 VDC
 Frequency: 50-60 Hz
 Dielectric Strength: 1500 VAC / 1 Minute
 Interrupt Rating: 3-30A 1000A @ 125/250 VAC
 3-20A 400A @ 125/250 VAC
 3-30A 300A @ 50 VDC
 3-20A 400A @ 125 VAC, CSA
 Marine Ignition Protected to SAE J1171 and UL1500
 Insulation Resistance: > 500M Ω
 Contact Endurance: 125 VAC @ 150% of Rated Current – 500 Cycles.
 Reset Time: within 60 seconds
 Body – Black
 Terminal Finish – Tin Plated

Agency Standards and Listings:

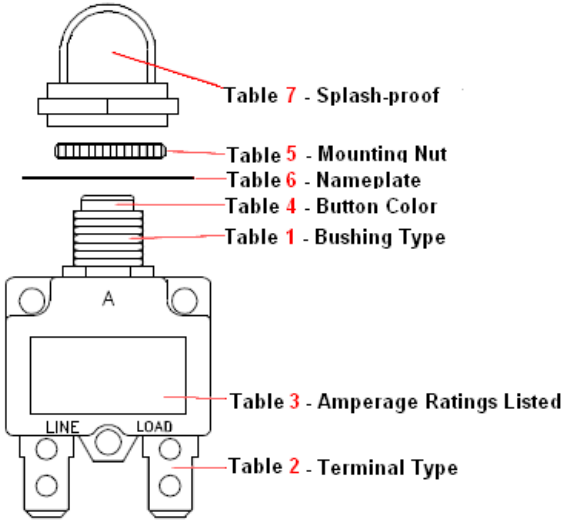


RoHS
Compliant

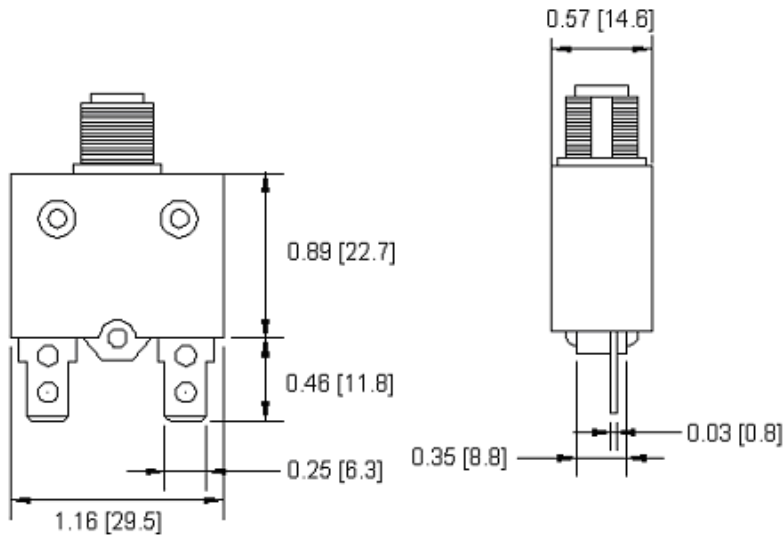
UR: 3A-30A, 125/250 VAC, 50 VDC
CSA: 3A-20A, 125 VAC
CCC: 3-20A, 125/250 VAC
TUV: 3-20A, 125/250 VAC, 32 VDC
VDE: 3A-16A, 125/250 VAC

Time-Current Characteristics @ 25°C					
100%	150%	200%		300%	
Max	Max	Min	Max	Min	Max
No trip	1hr	5s	25s	1.6s	4.8s

Part / Accessories Descriptions:



Mechanical Dimensions: Inches [mm]



Warning:



-Operation beyond the specified maximum ratings or improper use may result in damage and possible electrical arcing and/or flame.
 -Devices are intended for occasional overcurrent protection. Applications for repeated overcurrent condition and/or prolonged trip are not anticipated.
 -Avoid contact of device with chemical solvent. Prolonged contact will damage the device performance.

Note: All specifications subject to change without notice.

Type CBW57

Thermal Circuit Breaker

Push to Reset – Low Profile



www.optifuse.com (619) 593-5050

Mechanical Dimensions: Inches [mm]

Part Number Information									
CBW57-	X	Y	-	ZZ	-	B	N	P	S
	Table 1	Table 2		Table 3		Table 4	Table 5	Table 6	Table 7

Mechanical Dimensions: Inches [mm]

Table 1 - Where X is Bushing Style

H	Metal M11 – 10.8 mm diameter - 9.8 mm pinch point – 9.6 mm high
B	Metal M11 – 10.8 mm diameter - 9.8 mm pinch point – 9.6 mm high
G	Metal 3/8” 27 Thread – 9.5 mm diameter – 8.5 mm pinch point – 12.5 mm high
P	Plastic M11 – 10.8 mm diameter - 9.8 mm pinch point – 9.6 mm high
Q	Plastic M12 – 11.8 mm diameter – 10.8 mm pinch point – 8.2 mm high
E	Plastic 3/8” 27 Thread – 9.5 mm diameter – 8.5 mm pinch point – 12.5 mm high
S	Plastic – Panel – 8 mm high
C	Plastic – Snap-in – 9.8 mm high
A	Automatic Reset – No Bushing

				Measurements											
H - Metal M11XP1.0	B - Metal M11XP1.0	G - Metal 3/8"-27T	P - Plastic M11XP1.0	A	0.43 [10.8]										
				B	0.53 [13.5]										
Q - Plastic M12XP1.0	E - Plastic 3/8"-27T	S - Plastic	C - Plastic Snap in	C	0.39 [9.8]										
				D	0.38 [9.6]										
A - Automatic, No Bushing					E	0.49 [12.5]									
<table border="1"> <thead> <tr> <th>Bushing Type vs. Panel Hole</th> <th>H, P</th> <th>Q</th> <th>G, E</th> <th>C</th> </tr> </thead> <tbody> <tr> <td></td> <td></td> <td></td> <td></td> <td></td> </tr> </tbody> </table>				Bushing Type vs. Panel Hole	H, P	Q	G, E	C						F	0.32 [8.2]
				Bushing Type vs. Panel Hole	H, P	Q	G, E	C							
				G	0.62 [15.8]										
				H	0.54 [13.8]										
				J	0.33 [8.5]										
				K	0.37 [9.5]										
				L	0.51 [13.0]										
				M	0.32 [8.2]										
				N	0.46 [11.8]										

Note: All specifications subject to change without notice.

Type CBW57
Thermal Circuit Breaker
Push to Reset – Low Profile



www.optifuse.com (619) 593-5050

Mechanical Dimensions: Inches [mm]

Table 2 - Where Y is Terminal Configuration

S	B	R	4	5	6	8
Straight 0.46 [11.8]	90° Bend	90° Reverse Bend	90° Bend Load Pin	90° Bend Line Pin	Straight 0.31 [8]	45° Bend
9	X	F	L	J	L4	
45° Reverse Bend	Straight 0.13 [3.2]	Screw #8-32	Screw #8-32 90° Bend	Screw #8-32 90° Reverse Bend	Screw #8-32 90° Bend Line Pin	

Table 3 - Where ZZ is Amperage

03A to 20A (03, 3.5, 04, 05, 06, 07, 7.5, 08, 10, 11, 12, 13, 15, 16, 17, 18, 20, 22, 25, 30)

See comments on first page for approvals information.

The above represents only standard current rates. Please contact factory for additional ratings.

Table 4 - Where B is Button Color

Blank	Black Button	
W	White Button	
R	Red Button	
1	Black Button w/ Amperage in White	
5	White Button w/ Amperage in Black	
6	Red Button w/ Amperage in White	

Type CBW57

Thermal Circuit Breaker

Push to Reset – Low Profile



www.optifuse.com

(619) 593-5050

Mechanical Dimensions: Inches [mm]

Table 5 - Where N is Nut Type

Blank	H	C	P	Q	X
Metal Knurlnut	Metal Hexnut (M11xP1.0) H=0.55[14] (M12xP1.0) H=0.59[15]	Metal Knurlnut	Plastic Integred Knurlnut	Plastic Knurlnut	Plastic Integred Knurlnut

Table 6 - Where P is Nameplate

Blank = None	
B Black nameplate	Circuit Breaker Press to Reset
W White nameplate	Circuit Breaker Press to Reset
A Black nameplate	Circuit Breaker Press to Reset
S Black nameplate	Suppl. Prot. Press to Reset
N White nameplate	Suppl. Prot. Press to Reset

B	Black plate	A	Black plate	S	Black plate
W	White plate			N	White plate

Table 7 - Where S is Splash-proof

Blank – None

D – For H, B, G, P, Q, E Bushing Styles only

V – For H, B, P, Q Bushing Styles only

F – For H, B, G, P, Q, E Bushing Styles only

T – For H, B, P, Q Bushing Styles only

K – For G, E Bushing Styles only

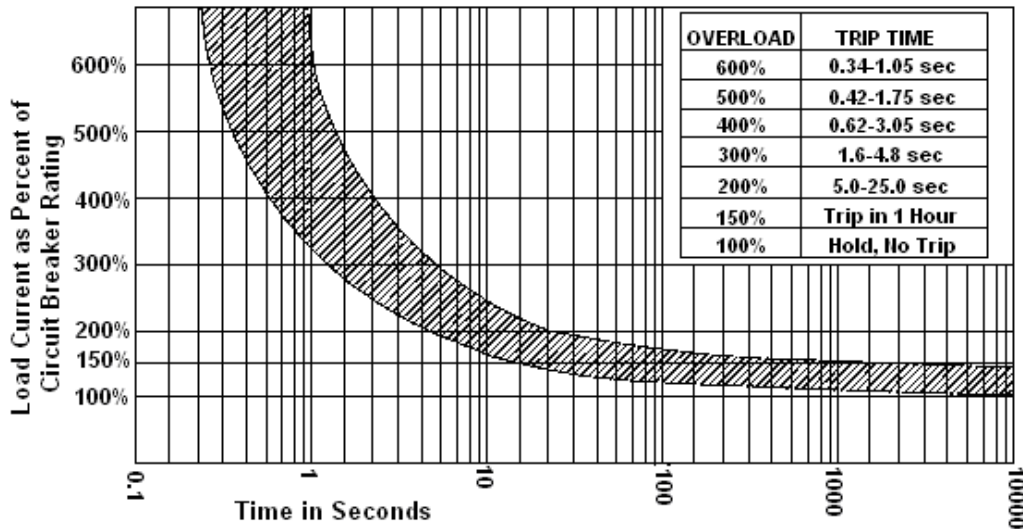
D	V	F	T	K
M11XP1.0 M12XP1.0 0.47 [12.0]	3/8" - 27T M11XP1.0 M12XP1.0 0.43 [11.0]	M11XP1.0 M12XP1.0 3/8" - 27T 0.51 [13.0]	M11XP1.0 M12XP1.0 0.43 [11.0]	3/8" - 27T 0.43 [11.0]
Clear	Clear	Clear	Clear	Black

**Type CBW57
Thermal Circuit Breaker
Push to Reset – Low Profile**



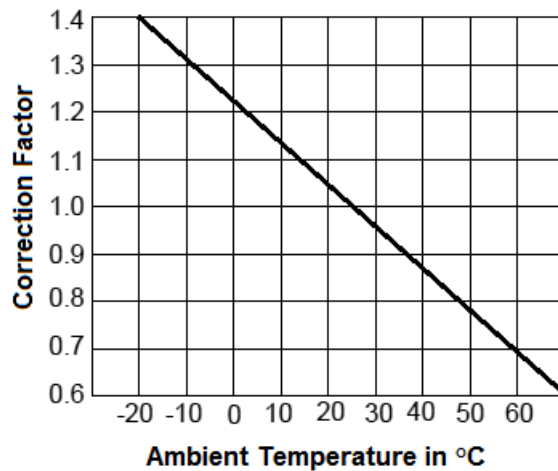
www.optifuse.com (619) 593-5050

Trip Time Curve @ +25°C



Max. Internal Resistance at 25°C	
Current Rating	Maximum Resistance
3A-4A	< 0.050Ω
5A-6A	< 0.040Ω
7A-8A	< 0.025Ω
9A-11A	< 0.020Ω
12A-13A	< 0.010Ω
14A-16A	< 0.008Ω
17A-25A	< 0.007Ω

Ambient Compensation Chart



Ambient Temperature Correction Factor:

The time/current characteristic curve depends on the ambient temperature prevailing. In order to eliminate nuisance tripping, please multiply the current breaker current ratings by the derating factor shown above.