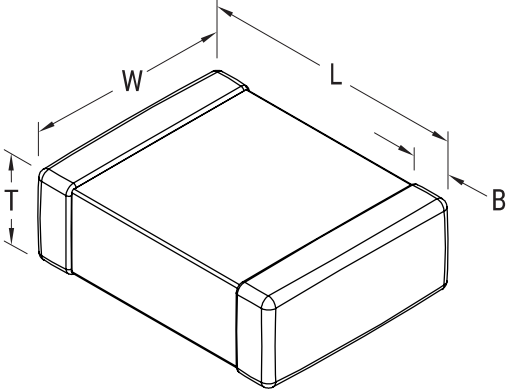


CBR-SMD RF COG, Ceramic, 0.8 pF, +/-0.1 pF, 250 VDC, COG, SMD, Fixed, RF, Ultra High Q, Low ESR, Class I, 0805



| Dimensions |                 |
|------------|-----------------|
| Chip Size  | 0805            |
| L          | 2mm +/-0.2mm    |
| W          | 1.25mm +/-0.2mm |
| T          | 0.85mm +/-0.1mm |
| B          | 0.5mm +/-0.2mm  |

| Packaging Specifications |                          |
|--------------------------|--------------------------|
| Packaging:               | T&R, 180mm, Plastic Tape |
| Packaging Quantity:      | 4000                     |

| General Information |  |
|---------------------|--|
| Series:             | CBR-SMD RF COG                                 |
| Style:              | SMD Chip                                       |
| Description:        | SMD, Fixed, RF, Ultra High Q, Low ESR, Class I |
| Features:           | Ultra High Q, Low ESR, Class I                 |
| RoHS:               | Yes  |
| Termination:        | Tin  |
| Marking:            | No   |
| AEC-Q200:           | No   |
| Notes:              | Solder Wave or Solder Reflow.                  |
| Shelf Life:         | 78 Weeks                                       |
| MSL:                | 1  |

| Specifications                   |                     |
|----------------------------------|---------------------|
| Capacitance:                     | 0.8 pF              |
| Capacitance Tolerance:           | +/-0.1 pF           |
| Voltage DC:                      | 250 VDC             |
| Dielectric Withstanding Voltage: | 500 VDC             |
| Temperature Range:               | -55/+125°C          |
| Temperature Coefficient:         | COG                 |
| Dissipation Factor:              | 0.24%               |
| Aging Rate:                      | 0% Loss/Decade Hour |
| Insulation Resistance:           | 10 GOhms            |
| Quality Factor:                  | 416                 |