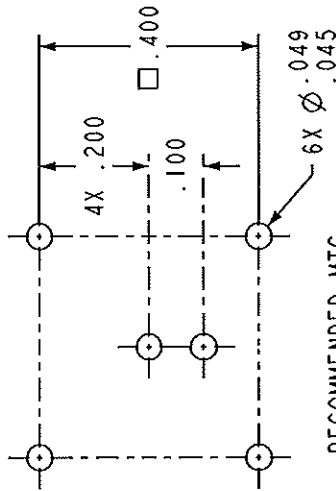
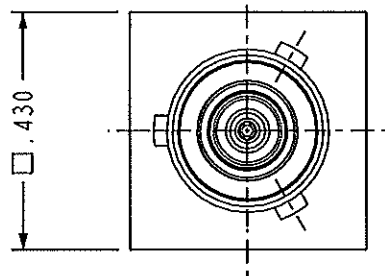
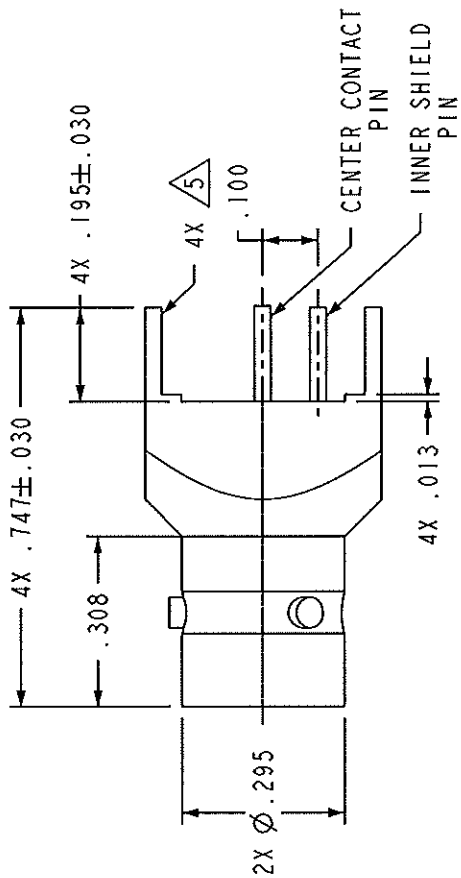
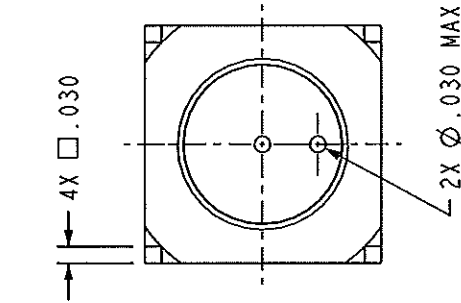
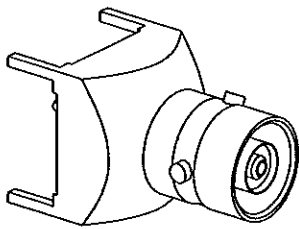


DRG. NO.	3-0039	SH. CUSTOMER	CUSTOMER P/N	CUST. REV.
DATA CONTAINED IN THIS DOCUMENT IS PROPRIETARY TO EMERSON CONNECTIVITY SOLUTIONS AND SHALL NOT BE DISCLOSED, COPIED OR USED FOR PRODUCTION OR MANUFACTURE WITHOUT EXPRESS WRITTEN PERMISSION.				
REV	G	ECO 53398	DATE	6-14-11
DESCRIPTIONS	REVISIONS			
G		B RYAN		APPROVED



RECOMMENDED MTG HOLE PATTERN

5. SOLDERABLE PER MIL-STD 202, METHOD 208
4. MINIMUM CENTER TO CENTER MOUNTING: .500
3. MAXIMUM BOARD THICKNESS: .125
2. FINISH: TFS-IAD (TRI-ALLOY)
1. FEMALE SUBMINIATURE TRIAXIAL PC BOARD JACK

NOTES: UNLESS OTHERWISE SPECIFIED.

EMERSON™ Network Power		Connectivity Solutions 299 Johnson Ave. Ste. 100 Wassico, MN 56033 1-800-247-8256	
TITLE: CBJ157			
INTERPRET DRAWING PER MIL-STD-100 DIMENSIONS ARE IN INCHES AND INCLUDE FINISH THICKNESS UNLESS OTHERWISE SPECIFIED.		TOLERANCES UNLESS SPECIFIED: .XX ± .02 .XXX ± .010 ANGLE ± 1°	
MATERIAL:		FINISH:	
DESIGNED BY: L. MCLENNAN	DATE: 6-28-11	SIZE: A	CAGE CODE: 14949
CHECKED BY: B. RYAN	DATE: 6-29-11	DRAWING NO.: 3-0039	REV.: G
QUANTITY:	APPROVED:	SCALE: 3/1	DATE: 1-2-79
SURFACE AREA:	DO NOT SCALE DWG	SHEET: 1 OF 2	REV. OF: 1 OF 2