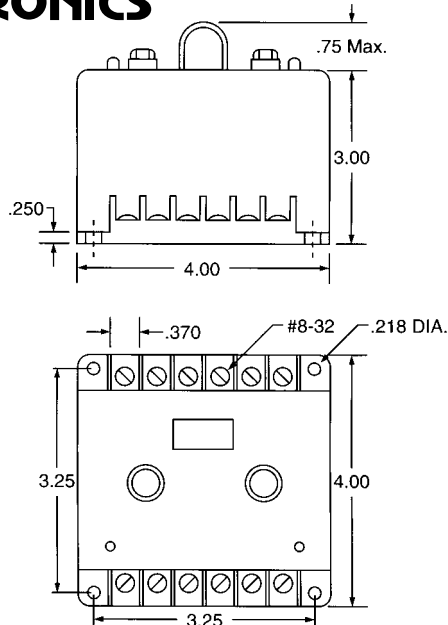


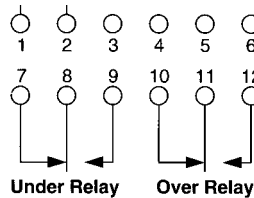
AC Over and Under Current Band Monitor/Relay



DIMENSIONS INCHES



WIRING



OPERATION

The CBA Series is used to detect under and over current conditions. When the monitored current is within the normal current band, both internal relays are de-energized (Drop-out). When the current rises above the over current setting for longer than 1.0 second, the over current relay energizes (Pick-up). If the current falls below the under current setting for longer than 1.0 second, the under current relay energizes. When the monitored current returns to normal, the relays will automatically reset. The over and under current trip points are independently adjustable.

An External CT may be used to extend the range of the Current Monitor.

SPECIFICATIONS

CONTROL VOLTAGE: 120 VAC, 50/60 Hz

TRIP POINTS

Over Current

Pick-up: See Table Below
Drop-out: 2% below Pick-up

Under Current

Pick-up: See Table Below
Drop-out: 2% above Pick-up

HYSTERESIS: 2%

RESPONSE TIMES

Operate: 1.0 Seconds
Release: 30 Milliseconds

TEMPERATURES

Operate: 32° to 131°F (0° to +55°C)
Storage: -49° to 185°F (-45° to +85°C)

RESET: Automatic

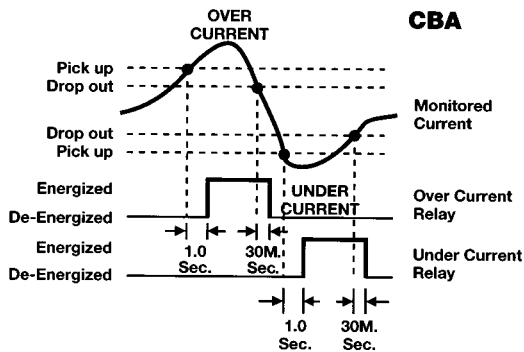
CONTACT

ARRANGEMENT: (2) Form C Contacts. One Each for Over/Under

OUTPUT: 10 Amps @ 120 VAC, Resistive

ENCLOSURE: Lexan Surface Mounted; #8-32 Screw Terminals

INDICATORS: LED's Show Over/Under Current Status



MODEL NUMBER	UNDER CURRENT RANGE	OVER CURRENT RANGE
CBA-120-ALE-1	0.2 to 1.0 amps, Adjustable	0.2 to 1.0 amps, Adjustable
CBA-120-ALE-5	1.0 to 5.0 amps, Adjustable	1.0 to 5.0 amps, Adjustable
CBA-120-ALE-10	2.0 to 10 amps, Adjustable	2.0 to 10 amps, Adjustable
CBA-120-ALE-20	4.0 to 20 amps, Adjustable	4.0 to 20 amps, Adjustable
CBA-120-ALE-30	6.0 to 30 amps, Adjustable	6.0 to 30 amps, Adjustable
CBA-120-ALE-40	8.0 to 40 amps, Adjustable	8.0 to 40 amps, Adjustable

CURRENT MONITORS