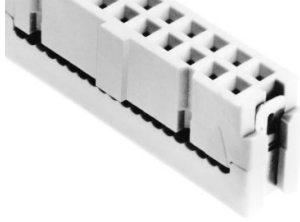


CA IDT SOCKET



FEATURES

- Conforms to MIL-C-83503/7C
- Mass-terminates with .05 ϕ .27 center cable
- Single leaf side wipe contact designed to mate with .02 ϕ .64 square or round post
- Optional Strain Relief, Pull Tabs, and Polarizing Keys are available

SPECIFICATIONS

ENVIRONMENTAL

Temperature Range: -55°C to +120°C

MECHANICAL

- Insulator Material: Glass-filled polyester, UL94V-0
- Contact Material: Phosphor Bronze
- Contact Plating: **Standard**
- Contact Area: 15 μ IN gold
- I.D. Area: 15 μ IN tin/lead

Recommended Wire Size:

28 AWG stranded

Contact Insertion Force:

- 4 oz [1.1 N] TYP
- 8 oz [2.2 N] MAX

Contact Extraction Force:

- 2.75 oz [0.8 N] TYP
- 2 oz [0.5 N] MIN

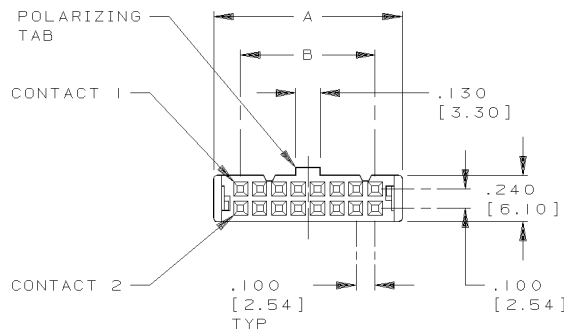
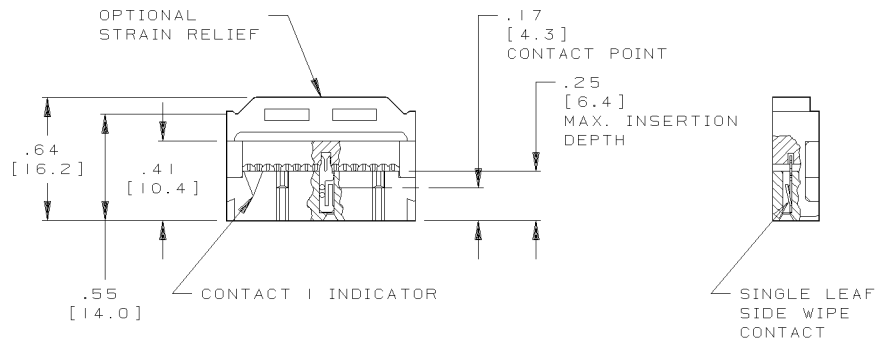
Measured with .02 ϕ .64 square pin

ELECTRICAL

- Current Rating: 1 AMP
- Dielectric Withstanding Voltage: 500 Vrms MIN
- Insulation Resistance: > 5000 Megohms
- Contact Resistance: 25 milliohms MAX measured through insulation displacement portion and mating connector

MATING CA PRODUCT

IDH, HL, HLR, HM, HRM, and .100 system strip headers



No. of Positions	Dimensions		Socket w/ Polarizing Tab	Part Numbers	
	A	B		Strain Relief	Pull Tab
10	.68 [17.3]	.400 [10.16]	CA-10IDS2-C-SPT	CA-SR10IDS2	PT-10
14	.88 [22.4]	.600 [15.24]	CA-14IDS2-C-SPT	CA-SR14IDS2	PT-10
16	.98 [24.9]	.700 [17.78]	CA-16IDS2-C-SPT	CA-SR16IDS2	PT-10
20	1.18 [30.0]	.900 [22.86]	CA-20IDS2-C-SPT	CA-SR20IDS2	PT-20
26	1.48 [37.6]	1.200 [30.48]	CA-26IDS2-C-SPT	CA-SR26IDS2	PT-20
34	1.88 [47.8]	1.600 [40.64]	CA-34IDS2-C-SPT	CA-SR34IDS2	PT-34
40	2.18 [55.4]	1.900 [48.26]	CA-40IDS2-C-SPT	CA-SR40IDS2	PT-40
50	2.68 [68.1]	2.400 [60.96]	CA-50IDS2-C-SPT	CA-SR50IDS2	PT-50
60	3.18 [80.8]	2.900 [73.66]	CA-60IDS2-C-SPT	CA-SR60IDS2	PT-50

Consult Factory For Additional Options
Optional Pull Tab Not Shown

REFERENCE DOCUMENTATION

Assembly Instructions, Cable to Connector	CA-170008
Arbor Press	CA-120008
Base Plate	CA-120015
Insert	CA-120018
Product Drawing	CA-620334
Product Specification	CA-100024

