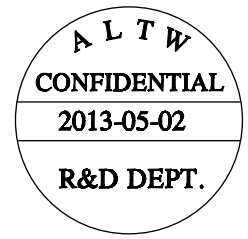
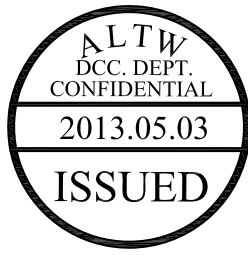
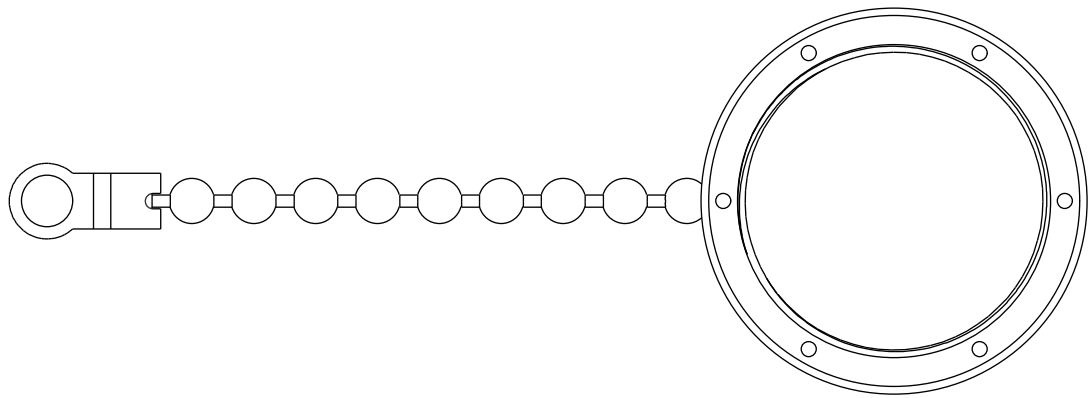
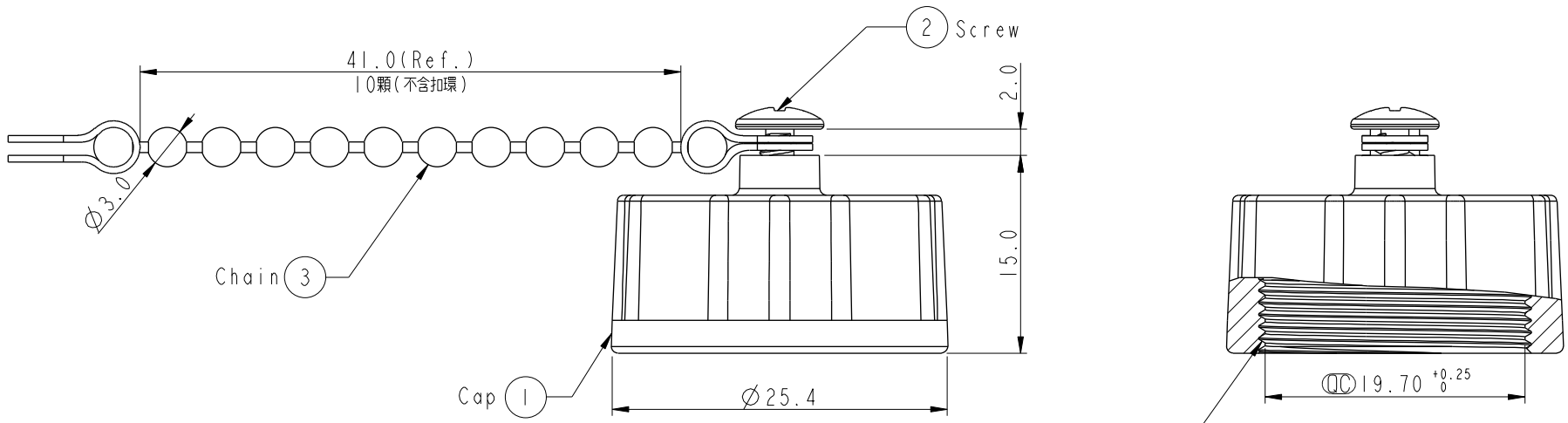


REV.	ECN NO.	DATE	SIGN	DESCRIPTION



Note:
 * CC Important Dimension To Check.
 * Waterproof Rate: IP67.
 * Cap: Nylon+GF, Black.
 * Gasket: EPDM, Black.
 * Screw is not allowed to tight (Chain be revolve)
 不可將螺絲鎖緊 (鏈條要可旋轉)

UNIT: mm		
TOLERANCE	.X ±0.25	
.XX ±0.1		
.XXX ±0.05		
ANGLES	±1°	

TITLE Waterproof Cap For Male Conn. C Size Screw Type			
SCALE 2:1	SIZE A4	SHEET 1 OF 1	
REV. A	WC-REV. A.5	CC : Inspection item	

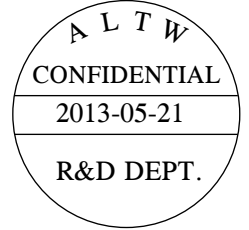
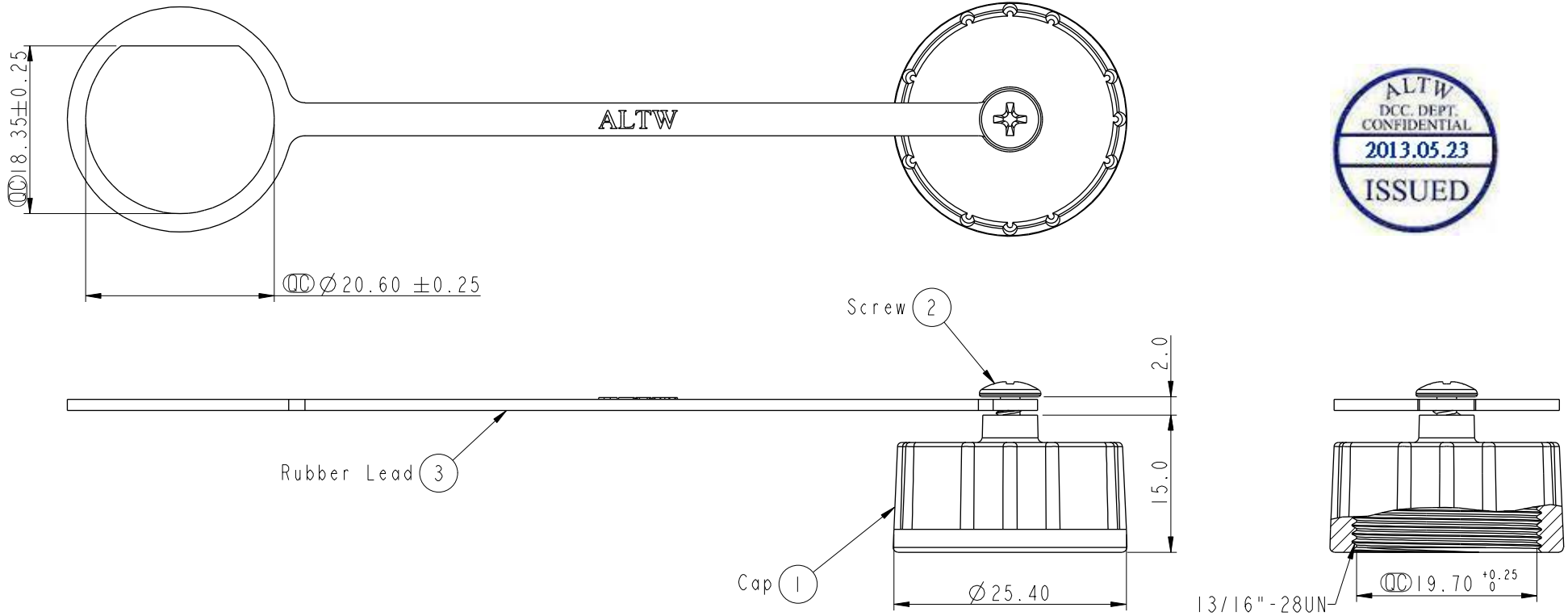
Amphenol LTW
 安費諾亮泰企業股份有限公司

ITEM NO CAP-WACMSPBI	DRAWN BY Vicky	DATE 2013-05-02
DWG NO CAP-WACMSPBI	CHECKED BY Sam	DATE 2013-05-02
CUSTOMER ALTW	APPROVED BY Maslow	DATE 2013-05-02

F
E
D
C
B
A

THIS DOCUMENT IS SUBJECT TO CHANGE WITHOUT NOTICE. IT IS CONFIDENTIAL AND A PROPERTY OF Amphenol LTW. DISCLOSURE TO THIRD PARTY HAS TO BE AUTHORIZED BY Amphenol LTW.

REV.	ECN NO.	DATE	SIGN	DESCRIPTION



Note:

- * \varnothing Important Dimension To Check.
- * Waterproof Rate: IP67.
- * Cap: Nylon+GF, Black.
- * Gasket: EPDM, Black.
- * Rubber Lead: PVC, Black.
- * Screw os not allowed to tight (Chain be revolve)
不可將螺絲鎖緊 (Rubber Lead 要可旋轉)

UNIT: mm			TITLE Waterproof Cap For Male Conn. C Size Screw Type
TOLERANCE .X ±0.25 .XX ±0.1 .XXX ±0.05 ANGLES ±1°	SCALE 3:2	SIZE A4	SHEET 1 OF 1
REV. A	WC-REV. A.2	\varnothing : Inspection item	

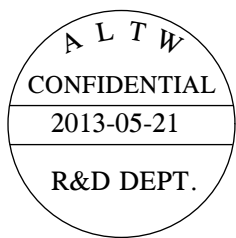
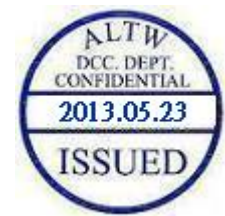
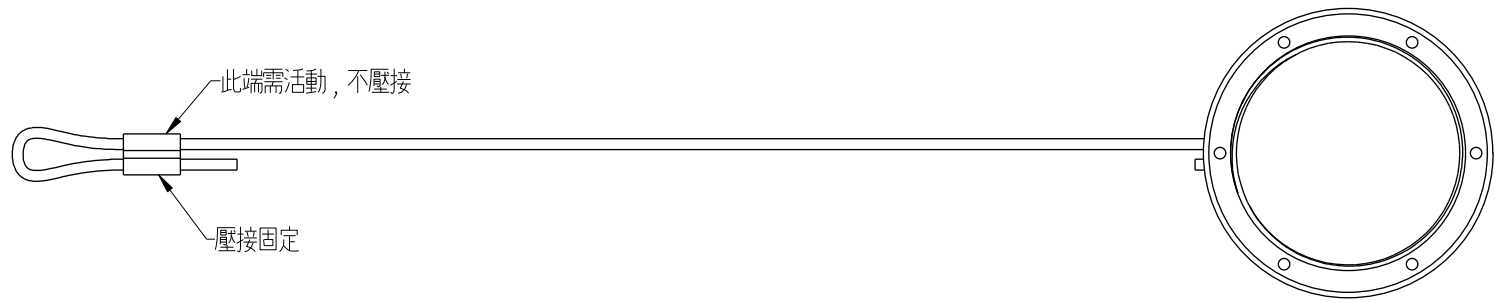
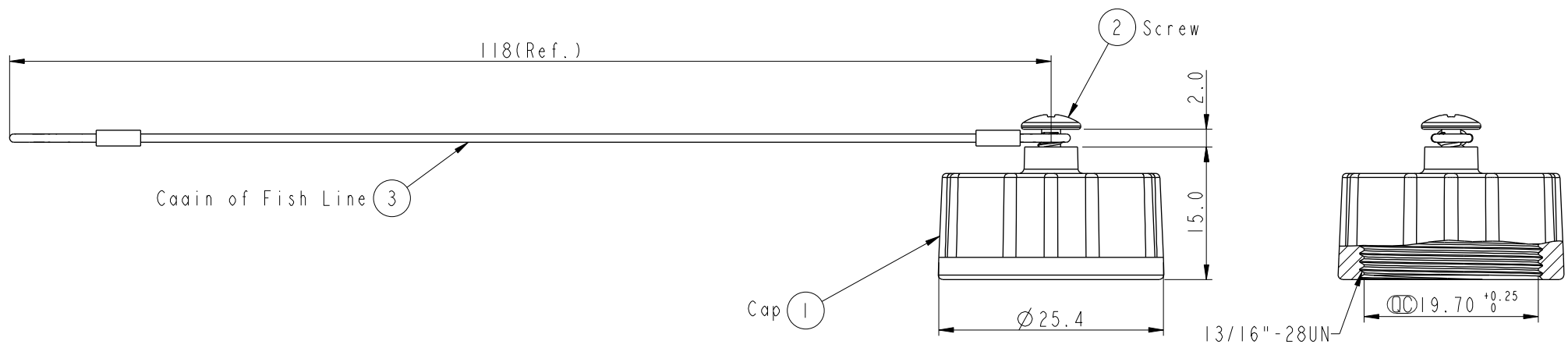
Amphenol LTW
安費諾亮泰企業股份有限公司

ITEM NO. CAP-WACMSPCI	DRAWN BY Vicky	DATE 2013-05-21
DWG NO. CAP-WACMSPCI	CHECKED BY Sam Chang	DATE 2013-05-21
CUSTOMER ALTW	APPROVED BY Maslow	DATE 2013-05-21

THIS DOCUMENT IS SUBJECT TO CHANGE WITHOUT NOTICE. IT IS CONFIDENTIAL AND A PROPERTY OF AMPHENOL LTW. DISCLOSURE TO THIRD PARTY HAS TO BE AUTHORIZED BY AMPHENOL LTW.

THIS DOCUMENT IS SUBJECT TO CHANGE WITHOUT NOTICE. IT IS CONFIDENTIAL AND A PROPERTY OF Amphenol LTW. DISCLOSURE TO THIRD PARTY HAS TO BE AUTHORIZED BY Amphenol LTW.

1	2	3	4	5	6	7	8
REV.	ECN NO.	DATE	SIGN	DESCRIPTION			



- Note:
- * \varnothing Important Dimension To Check.
 - * Waterproof Rate: IP67.
 - * Cap: Nylon+GF, Black.
 - * Gasket: EPDM, Black.
 - * Fish Line: Nylon
 - Part of Fish Line: Stainless

UNIT: mm TOLERANCE .X ±0.25 .XX ±0.1 .XXX ±0.05 ANGLES ±1°	TITLE Waterproof Cap For Male Conn. C Size Screw Type		Amphenol LTW 安費諾亮泰企業股份有限公司		ITEM NO	DRAWN BY	DATE
	SCALE	SIZE			SHEET	OF	CAP-WACMSPDI
	REV.	WC-REV.	QC: Inspection item		DWG NO	CHECKED BY	DATE
A	A.1			CAP-WACMSPDI	Sam Chang	2013-05-21	
				CUSTOMER	APPROVED BY	DATE	
				ALTW	Maslow	2013-05-21	