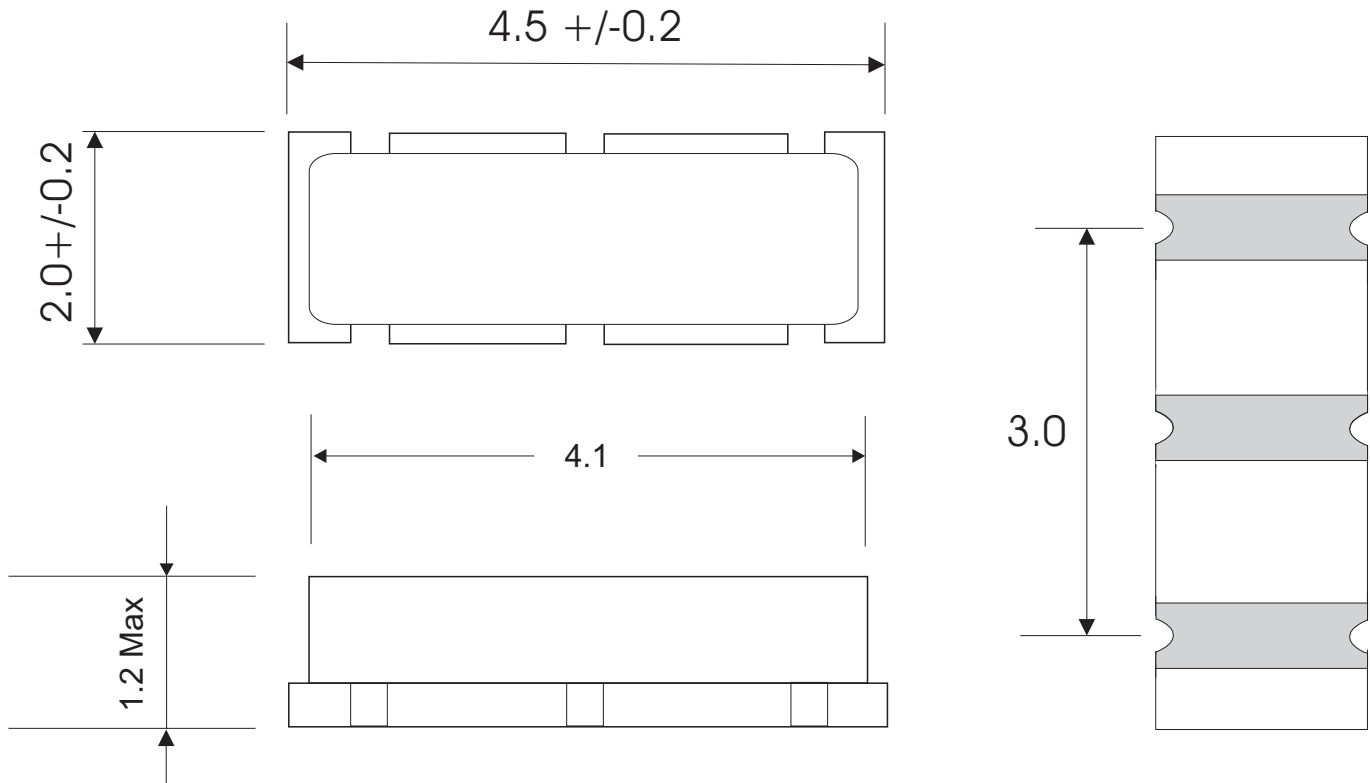
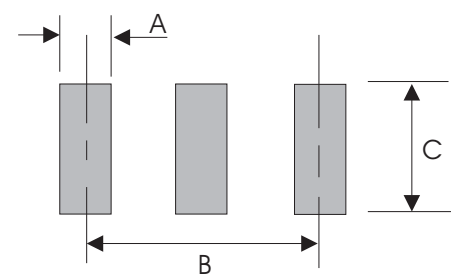


All Dimensions in mm



Product Type		ZTCR series		<p>Recommended Land Dimensions</p>  <table border="1" data-bbox="1039 1648 1331 1806"> <tr> <td>A - <math>0.8 \pm 0.2</math></td> </tr> <tr> <td>B - <math>3.0 \pm 0.2</math></td> </tr> <tr> <td>C - <math>2.0 \pm 0.2</math></td> </tr> </table>		A - $0.8 \pm 0.2$	B - $3.0 \pm 0.2$	C - $2.0 \pm 0.2$
A - $0.8 \pm 0.2$								
B - $3.0 \pm 0.2$								
C - $2.0 \pm 0.2$								
Frequency		4.000 - 8.000MHz						
Frequency Accuracy		+ - 0.5% @ 25Deg C						
Temperature Stability		+ - 0.3%						
Temperature Range		-20 to +80 Deg C						
Aging over 10 Years		+ - 0.3%						
Amdt	Change Note	Date	Originator	Issue No	AEL Crystals Ltd Specification No  ZTCR Series			
				1				
				Dated				
				24.05.2005				