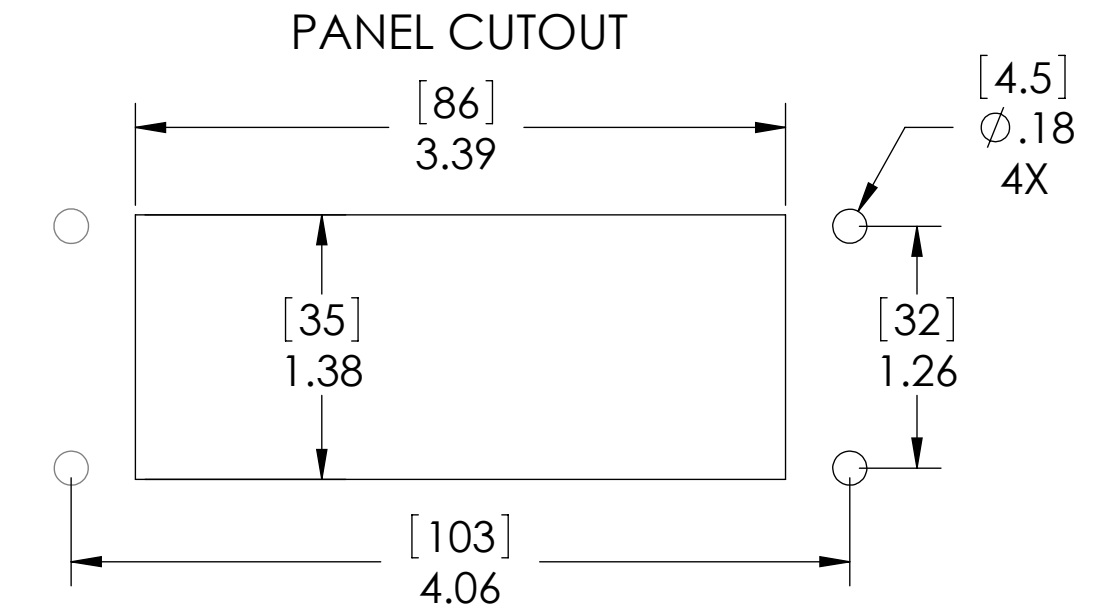
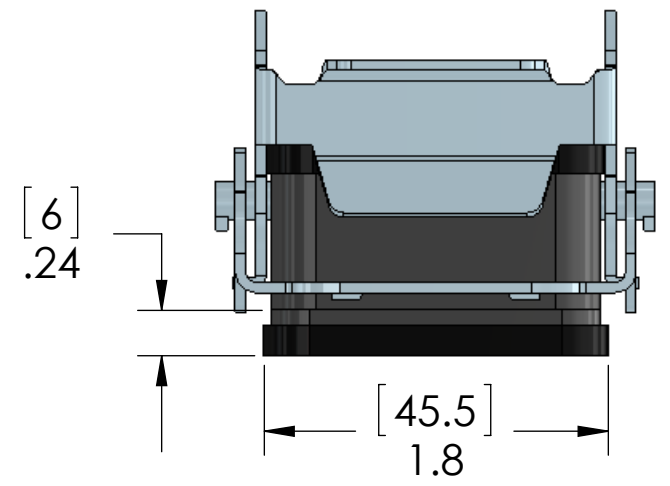
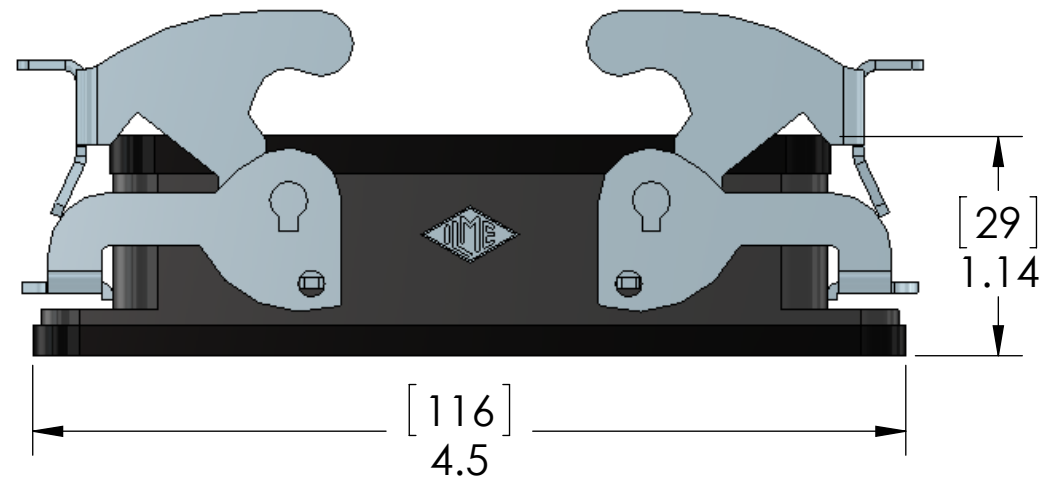
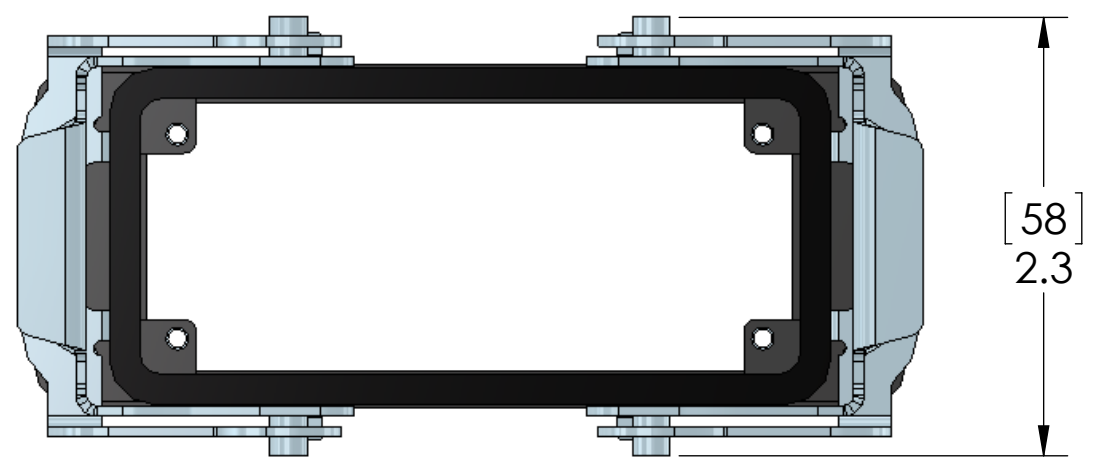


REVISIONS			
REV.	DESCRIPTION	DATE	APPROVED
A	REDRAWN IN SW	2/24/2012	DCT



SEAL RATING OF IP 66/67 ONLY ACHIEVED WHEN FULLY LATCHED TO MATING HOOD

PROPRIETARY AND CONFIDENTIAL
 THE INFORMATION CONTAINED IN THIS DRAWING IS THE SOLE PROPERTY OF MENCOM CORPORATION. ANY REPRODUCTION IN PART OR AS A WHOLE WITHOUT THE WRITTEN PERMISSION OF MENCOM CORPORATION IS PROHIBITED.

UNLESS OTHERWISE SPECIFIED:
 DIMENSIONS ARE IN INCHES AND [MM]
 MATERIAL
 FINISH
 DO NOT SCALE DRAWING

HOUSING MATERIALS	
BODY:	EPOXY COATED DIE CAST ALUMINUM
GASKET:	THERMOPLASTIC ELASTOMER
LEVERS:	STAINLESS STEEL

DRAWN		NAME	MENCOM CORPORATION TITLE: V-TYPE BULKHEAD ENCLOSURE W/ LEVERS
CHECKED		DWM	
ENG APPR.			
MFG APPR.			
Q.A.			
COMMENTS:			
SIZE	DWG. NO.	REV	
B	C71-16	A	
SCALE: 1:1		WEIGHT:	SHEET 1 OF 1