

# C7 - SERIES

## SPECIFICATIONS AND ORDERING INFORMATION

51.6 mm DIAMETER 1.0 AMP @ 28 VDC

The C7 Series provides a fully enclosed, modular design that enables switching up to 24 positions. Our standard design offers 15° indexing, and solder lug terminals.



### SPECIFICATIONS

#### ELECTRICAL

**Current and Voltage Rating:** Make and break resistive load 1.0 amp @ 28 VDC; 0.5 amp @ 125 VAC.  
**Current Carrying Capacity:** 25 amps.  
**Dielectric Strength:** 1,000 VAC between current carrying parts and ground.  
**Contact Resistance:** Average initial 3 milliohms.  
**Insulation Resistance:** In excess of 10,000 megohms.

**Hardware:** Mounting nut and lockwasher are shipped assembled.

#### MECHANICAL

**Materials and Finishes:** All parts utilize non-corrosive materials as standard.  
**Terminals and Contacts:** Brass with silver plate as standard.  
**Insulation:** Diallyl phthalate.  
**Index:** Single-ball, hill and valley.  
**Index Life:** 25,000 cycles minimum.  
**Index Torque:** Switches have lowest practical torque consistent with crisp detenting and smooth, reliable operation.  
**Index Angles:** 15° standard, 30°, 60°, and 90° available.  
**Index Stops:** Fixed standard, or continuous available.  
**Stop Strength:** 2.82 Nm minimum.

### STANDARD PART NUMBER

#### 15° INDEXING - FIXED STOPS SOLDER LUG TERMINALS

POLES	ACTIVE POSITIONS	POLES/ DECK	NO. OF DECKS	SHORTING	NON-SHORTING	FIG. *
01	23	1	1	C7D0123S	C7D0123N	CF
02	23	1	2	C7D0223S	C7D0223N	CF
03	23	1	3	C7D0323S	C7D0323N	CF
04	23	1	4	C7D0423S	C7D0423N	CF

#### 30° INDEXING

POLES	ACTIVE POSITIONS	POLES/ DECK	NO. OF DECKS	SHORTING	NON-SHORTING	FIG. *
01	12	1	1	C7D0112S -30	C7D0112N -30	CA
02	12	1	2	C7D0212S -30	C7D0212N -30	CA
03	12	1	3	C7D0312S -30	C7D0312N -30	CA

#### 15° INDEXING - CONTINUOUS ROTATION SOLDER LUG TERMINALS

POLES	ACTIVE POSITIONS	POLES/ DECK	NO. OF DECKS	SHORTING	NON-SHORTING	FIG. *
01	24	1	1	C7D0124S - C	C7D0124N - C	CG
02	24	1	2	C7D0224S - C	C7D0224N - C	CG
03	24	1	3	C7D0324S - C	C7D0324N - C	CG
04	24	1	4	C7D0424S - C	C7D0424N - C	CG

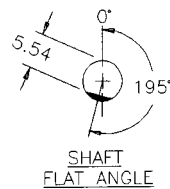
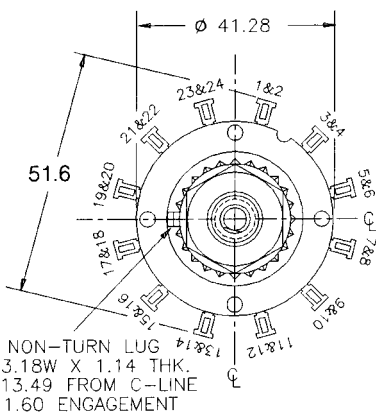
#### 30° INDEXING

POLES	ACTIVE POSITIONS	POLES/ DECK	NO. OF DECKS	SHORTING	NON-SHORTING	FIG. *
01	12	1	1	C7D0112S -30C	C7D0112N -30C	CA
02	12	1	2	C7D0212S -30C	C7D0212N -30C	CA
03	12	1	3	C7D0312S -30C	C7D0312N -30C	CA

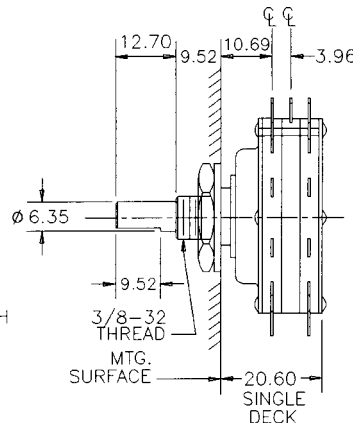
\* FIGURES ARE SHOWN ON PAGE 55.

### DIMENSIONS

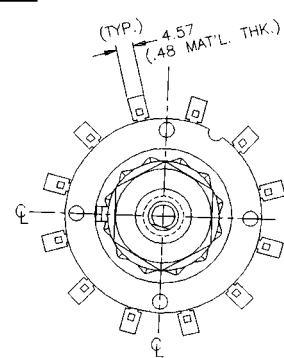
#### STANDARD CONSTRUCTION - 15° INDEX ANGLE (3 WAFER DECK)



NOTE:  
 1. ONE DECK EQUALS THREE WAFERS.  
 2. ADD 11.89 FOR EACH ADDITIONAL DECK.



#### Q .187 QUICK CONNECT



4.75 QUICK CONNECT TERMINAL OPTION

## How to Order Additional Options:

2 DIGIT SERIES	INSULATION TYPE	TOTAL POLES	ACTIVE POSITIONS	CONTACT TYPE	TERMINAL TYPE	INDEX ANGLE	STOP TYPE	SHAFT/ BUSHING	SHAFT FLAT
C7	D - DIALLYL	01 - MIN.	24 - MAX @ 15°	S - SHORTING N - NON SHORTING	L - SOLDER LUG Q - QUICK CONNECT	15°	F - FIXED 23 - POS. MAX. C - CONT. 24 - POS. MAX.	SEE CHART "A"	SEE CHART "B"
C7	D - DIALLYL	01 - MIN.	12 - MAX @ 30° 06 - MAX @ 60° 04 - MAX @ 90°	S - SHORTING N - NON SHORTING	L - SOLDER LUG Q - QUICK CONNECT	30° 60° 90°	F - FIXED C - CONT.	SEE CHART "A"	SEE CHART "B"

CUSTOMERS SPECIFIED ORDER NUMBER FOR STANDARD OPTIONS				ADDITIONAL OPTIONS			
<b>C</b>	<b>7</b>	<b>D</b>	<input type="text"/>	<input type="text"/>	<input type="text"/>	<input type="text"/>	<input type="text"/>
			(SPECIFY)	(SPECIFY)	(SPECIFY)	(SPECIFY)	(SPECIFY)

SHORTING AND NON-SHORTING SWITCHING IS NOT GUARANTEED ON THE 15° INDEXING C7 SERIES.

### SHAFT AND FLAT OPTIONS

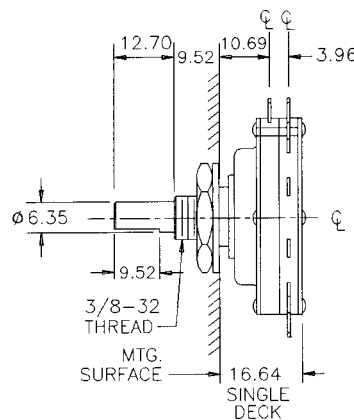
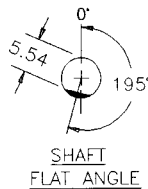
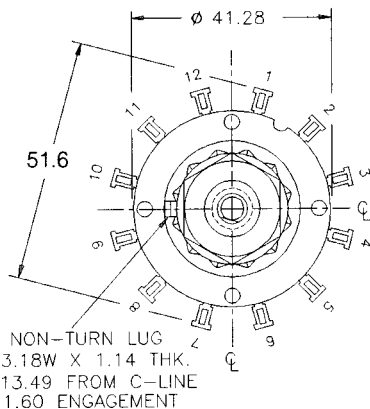
P/N OPT.	SHAFT LGTH. "A"
01	6.35
02	12.7
03	14.29
04	19.05
05	22.23
06	25.4

P/N OPT.	FLAT ANGLE
U	15°
W	165°
Y	195°
Z	345°

SHAFT AS VIEWED WITH NON-TURN LUG AT 9 O'CLOCK AND SHAFT IN EXTREME CCW POSITION.

### DIMENSIONS

#### STANDARD CONSTRUCTION - 30° INDEX ANGLE (2 WAFER DECK)



- NOTE:
- ONE DECK EQUALS TWO WAFERS.
  - ADD 7.92 FOR EACH ADDITIONAL DECK.

CUSTOM SWITCHES ARE AVAILABLE. CONTACT THE FACTORY WITH YOUR COMPLETE SPECIFICATIONS.