

CotoMOS[®] C770S / CT770 / CS770

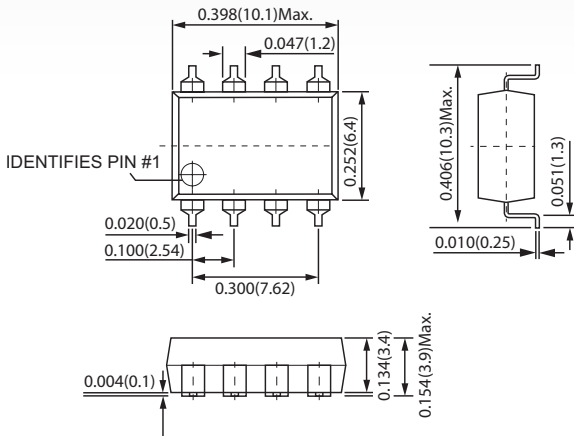
The C770S / CT770 / CS770 features current switching capability to 380mA with a low on resistance of 1.6Ω Maximum. Designed for Security, Measurement and Instrumentation applications the CotoMOS[®] relay is capable of handling 60V load conditions. If your requirements are different please contact your Coto Applications Engineer for assistance through www.cotorelay.com.

C770S / CT770 / CS770 Features

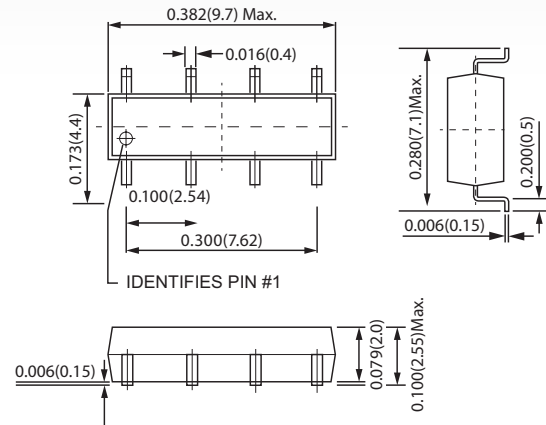
- ▶ Contact Form: 1A+1B
- ▶ Load Voltage: 60V Maximum
- ▶ Operation LED Current: 3.0mA Maximum
- ▶ Load Current: 380mA Maximum
- ▶ On-Resistance: 1.6Ω Maximum
- ▶ Output Capacitance: 45pF Typical (NO), 165 pF (NC) Typical
- ▶ Low Off-State Leakage Current: 1μ A (NO), 10μ A (NC) Maximum

DIMENSIONS
in Inches (Millimeters)

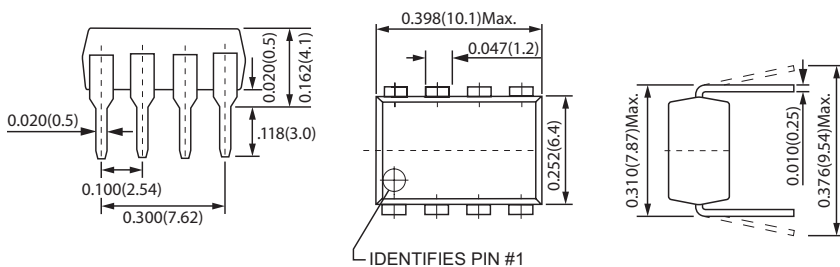
CS770



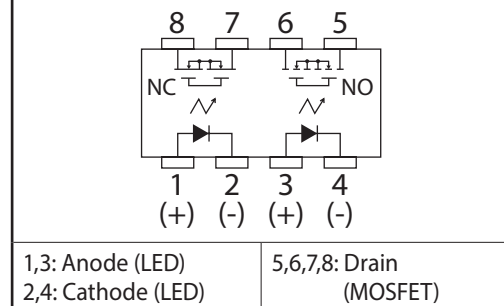
C770S



CT770



TERMINAL IDENTIFICATION



C770S / CT770 / CS770 MAXIMUM RATINGS (Ambient Temperature: 25°C)			
Parameters	Symbol	Units	Value (SOP 8 / DIP 8, SMD 8)
INPUT SPECIFICATIONS			
Continuous LED Current	I _F	mA	50
Peak LED Current	I _{FP}	mA	500
LED Reverse Voltage	V _R	V	5
Input Power Dissipation	P _{in}	mW	75
OUTPUT SPECIFICATIONS			
Load Voltage	V _L	V (AC peak or DC)	60
Load Current	I _L	mA	350 / 380
Peak Load Current	I _{Peak}	A	1000
Output Power Dissipation	P _{Out}	mW	400 / 600
RELAY SPECIFICATIONS			
Total Power Dissipation	P _T	mW	450 / 650
I/O Breakdown Voltage	V _{I/O}	V _{rms}	1500
Operating Temperature	T _{Opr}	°C	-40 ~ +85
Storage Temperature	T _{Stg}	°C	-40 ~ +100

C770S / CT770 / CS770 ELECTRICAL SPECIFICATIONS (Ambient Temperature: 25°C)						
Parameters	Symbol	Test Conditions	Units	Min	Typ	Max
INPUT						
LED Forward Voltage	V _F	I _F =10mA	V	1.0	1.17	1.5
Operation LED Current	I _{F On}		mA		0.9	3.0
Recovery LED Voltage	V _{F Off}		V	0.5	1.0	
OUTPUT						
On-Resistance Drain to Drain	R _{On}	I _F =5mA (NO), I _F =0mA (NC), I _L =Rating Time to flow is within 1 sec.	Ω		0.75	1.6
Off-State Leakage Current	I _{Leak}	I _F =0mA (NO), I _F =5mA (NC), V _L =60V, f=1MHz	μA			1 (NO) 10 (NC)
Output Capacitance	C _{Out}	I _F =0mA (NO), I _F =5mA (NC) V _L =0V, f=1MHz	pF		45 (NO) 165 (NC)	
TRANSMISSION						
Operate Time	T _{On} (NO) T _{Off} (NC)	I _F =5mA, I _L =Rating (for SOP type)	ms		0.2 (NO) 0.35 (NC)	2.0
Recovery Time	T _{Off} (NO) T _{On} (NC)	I _F =5mA, I _L =Rating (for SOP type)	ms		0.05	1.0
Operate Time	T _{On} (NO) T _{Off} (NC)	I _F =10mA, I _L =Rating (for DIP/SMD type)	ms		0.2 (NO) 0.25 (NC)	2.0
Recovery Time	T _{Off} (NO) T _{On} (NC)	I _F =10mA, I _L =Rating (for DIP/SMD type)	ms		0.05	1.0
COUPLED						
I/O Insulation Resistance	R _{I/O}		Ω	10 ⁹		
I/O Capacitance	C _{I/O}	f=1MHz	pF		1.3	

Environmental Ratings:

Operating Temp: -40°C to +85°C; Storage Temp: -40 to +100 C.

All electrical parameters measured at 25° C unless otherwise specified.

04092015