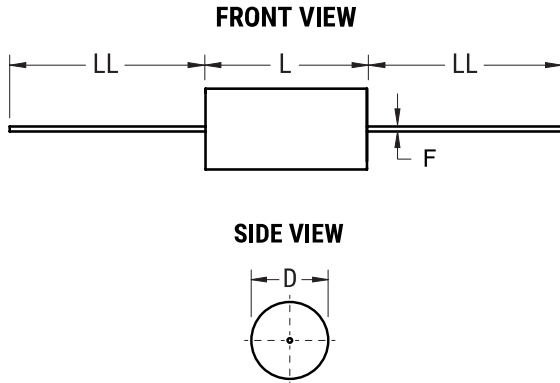


C4C, Film, Metallized Polypropylene, Power, 0.047 uF, 5%, 500 VAC, 1200 VDC, 70°C



General Information	
Series:	C4C
Dielectric:	Metallized Polypropylene
Style:	Axial
RoHS:	Yes
Lead:	Wire Leads
AEC-Q200:	No
Component Weight:	3 g
Miscellaneous:	Polyester Tape & Resin Protection.

Dimensions	
D	10mm NOM
L	33mm NOM
LL	40mm +/-5mm
F	0.8mm NOM

Packaging Specifications	
Packaging:	Bulk, Bag
Packaging Quantity:	400

Specifications	
Capacitance:	0.047 uF
Capacitance Tolerance:	5%
Voltage AC:	500 VAC
Voltage DC:	1200 VDC
Temperature Range:	-40/+85°C
Rated Temperature:	70°C
Dissipation Factor:	0.05%
Max dV/dt:	700 V/us
Resistance:	27.1 mOhms (100kHz)
Ripple Current:	4 Amps (100kHz 70C), 33 Amps (Peak)