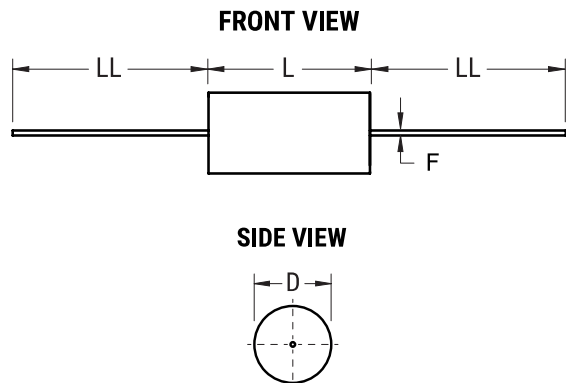


C4C, Film, Metallized Polypropylene, Power, 0.47 uF, 5%, 450 VAC, 850 VDC, 70°C



General Information	
Series:	C4C
Dielectric:	Metallized Polypropylene
Style:	Axial
RoHS:	Yes
Lead:	Wire Leads
AEC-Q200:	No
Component Weight:	11.8 g
Miscellaneous:	Polyester Tape & Resin Protection.

Dimensions	
D	21.5mm NOM
L	33mm NOM
LL	40mm +/-5mm
F	1mm NOM

Packaging Specifications	
Packaging:	Bulk, Bag
Packaging Quantity:	100

Specifications	
Capacitance:	0.47 uF
Capacitance Tolerance:	5%
Voltage AC:	450 VAC
Voltage DC:	850 VDC
Temperature Range:	-40/+85°C
Rated Temperature:	70°C
Dissipation Factor:	0.05%
Max dV/dt:	450 V/us
Resistance:	4.6 mOhms (100KHz)
Ripple Current:	9 Amps (100kHz 70C), 212 Amps (Peak)