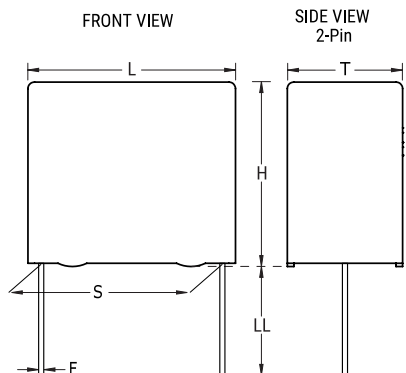


C4AT, Film, Metallized Polypropylene, Power, 2.2 uF, 5%, 400 VAC, 700 VDC, 70°C, Lead Spacing = 27.5mm



General Information	
Series:	C4AT
Dielectric:	Metallized Polypropylene
Style:	Radial
Features:	Switching
RoHS:	Yes
Lead:	Wire Leads
AEC-Q200:	No
Component Weight:	27 g

Dimensions	
L	32mm -0.7mm
H	33mm -0.7mm
T	18mm -0.7mm
S	27.5mm +/-0.4mm
LL	6mm -2mm
F	1.2mm NOM

Packaging Specifications	
Packaging:	Bulk, Bag
Packaging Quantity:	80

Specifications	
Capacitance:	2.2 uF
Capacitance Tolerance:	5%
Voltage AC:	400 VAC
Voltage DC:	700 VDC
Temperature Range:	-40/+85°C
Rated Temperature:	70°C
Dissipation Factor:	0.05%
Max dV/dt:	119 V/us
Resistance:	4 mOhms (100kHz)
Ripple Current:	14 Amps (100kHz 70C), 260 Amps (Peak)