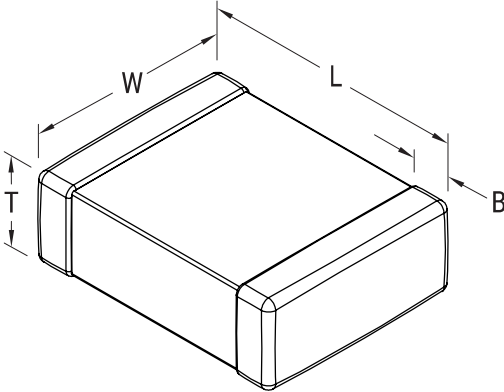


KEMET Part Number: C2220X684KARACTU
(C2220X684KARAC7800)

SMD Comm X7R Tip-Ring, Ceramic, 0.68 uF, 10%, 250 VDC, X7R, SMD, MLCC, FT-CAP, Temperature Stable, Tin Termination, 2220



Dimensions

Chip Size		2220
L		5.9mm +/-0.75mm
W		5mm +/-0.4mm
T		1.3mm +/-0.15mm
B		0.7mm +/-0.35mm

Packaging Specifications

Packaging:	T&R, 180mm, Plastic Tape
Packaging Quantity:	1000

General Information

Series:	SMD Comm X7R Tip-Ring
Style:	SMD Chip
Description:	SMD, MLCC, FT-CAP, Temperature Stable, Tin Termination
Features:	Tin Termination
RoHS:	Yes
Termination:	Flexible Termination
Marking:	No
AEC-Q200:	No
Component Weight:	170 mg
Shelf Life:	78 Weeks
MSL:	1

Specifications

Capacitance:	0.68 uF
Measurement Condition:	1 kHz 1.0Vrms
Capacitance Tolerance:	10%
Voltage DC:	250 VDC
Dielectric Withstanding Voltage:	625 VDC
Temperature Range:	-55/+125°C
Temperature Coefficient:	X7R
Capacitance Change with Reference to +25°C and 0 VDC Applied (TCC):	15%, 1kHz 1.0Vrms
Dissipation Factor:	2.5% 1 kHz 1.0Vrms
Aging Rate:	3% Loss/Decade Hour: Referee Time is 1000 Hours
Insulation Resistance:	1.4706 GOhms