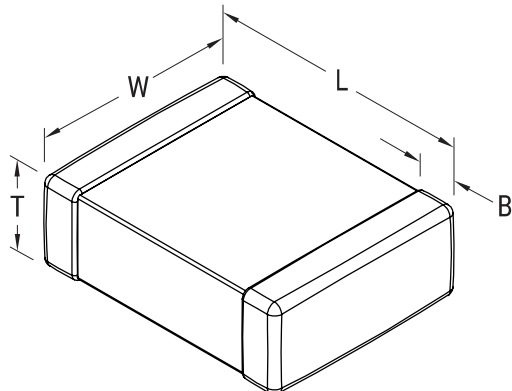


**KEMET Part Number: C2220X105KARACTU**  
(C2220X105KARAC7800)

**KEMET**

a YAGEO company

SMD Comm X7R Tip-Ring, Ceramic, 1 uF, 10%, 250 VDC, X7R, SMD, MLCC, FT-CAP, Temperature Stable, Tin Termination, 2220



**Dimensions**

Dimensions	
Chip Size	2220
L	5.9mm +/-0.75mm
W	5mm +/-0.4mm
T	1.5mm +/-0.15mm
B	0.7mm +/-0.35mm

**Packaging Specifications**

<b>Packaging:</b>	T&R, 180mm, Plastic Tape
<b>Packaging Quantity:</b>	1000

**General Information**

<b>Series:</b>	SMD Comm X7R Tip-Ring
<b>Style:</b>	SMD Chip
<b>Description:</b>	SMD, MLCC, FT-CAP, Temperature Stable, Tin Termination
<b>Features:</b>	Tin Termination
<b>RoHS:</b>	Yes
<b>Termination:</b>	Flexible Termination
<b>Marking:</b>	No
<b>AEC-Q200:</b>	No
<b>Component Weight:</b>	230 mg
<b>Shelf Life:</b>	78 Weeks
<b>MSL:</b>	1

**Specifications**

<b>Capacitance:</b>	1 uF
<b>Measurement Condition:</b>	1 kHz 1.0Vrms
<b>Capacitance Tolerance:</b>	10%
<b>Voltage DC:</b>	250 VDC
<b>Dielectric Withstanding Voltage:</b>	625 VDC
<b>Temperature Range:</b>	-55/+125°C
<b>Temperature Coefficient:</b>	X7R
<b>Capacitance Change with Reference to +25°C and 0 VDC Applied (TCC):</b>	15%, 1kHz 1.0Vrms
<b>Dissipation Factor:</b>	2.5% 1 kHz 1.0Vrms
<b>Aging Rate:</b>	3% Loss/Decade Hour: Referee Time is 1000 Hours
<b>Insulation Resistance:</b>	1 GOhms

Statements of suitability for certain applications are based on our knowledge of typical operating conditions for such applications, but are not intended to constitute - and we specifically disclaim - any warranty concerning suitability for a specific customer application or use. This Information is intended for use only by customers who have the requisite experience and capability to determine the correct products for their application. Any technical advice inferred from this Information or otherwise provided by us with reference to the use of our products is given gratis, and we assume no obligation or liability for the advice given or results obtained.

**KEMET**

a YAGEO company