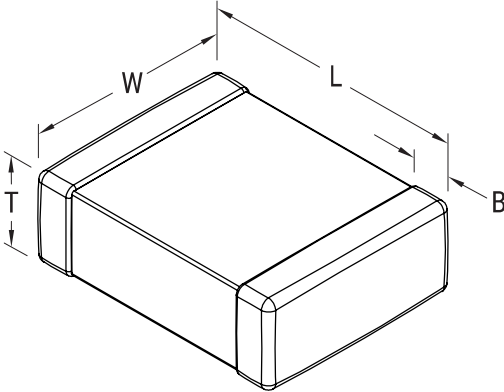


**KEMET Part Number: C1812F105K5RACTU**  
(C1812F105K5RAC7800)

SMD Comm X7R FO, Ceramic, 1 uF, 10%, 50 VDC, X7R, SMD, MLCC, Open Mode, Temperature Stable, 1812



**Dimensions**

Chip Size		1812
<b>L</b>		4.5mm +/-0.3mm
<b>W</b>		3.2mm +/-0.3mm
<b>T</b>		1.7mm +/-0.20mm
<b>B</b>		0.6mm +/-0.35mm

**Packaging Specifications**

<b>Packaging:</b>	T&R, 180mm, Plastic Tape
<b>Packaging Quantity:</b>	1000

**General Information**

<b>Series:</b>	SMD Comm X7R FO
<b>Style:</b>	SMD Chip
<b>Description:</b>	SMD, MLCC, Open Mode, Temperature Stable
<b>Features:</b>	Open Mode, Temperature Stable
<b>RoHS:</b>	Yes
<b>Termination:</b>	Tin
<b>Marking:</b>	No
<b>AEC-Q200:</b>	No
<b>Component Weight:</b>	185 mg
<b>Shelf Life:</b>	78 Weeks
<b>MSL:</b>	1

**Specifications**

<b>Capacitance:</b>	1 uF
<b>Measurement Condition:</b>	1 kHz 1.0Vrms
<b>Capacitance Tolerance:</b>	10%
<b>Voltage DC:</b>	50 VDC
<b>Dielectric Withstanding Voltage:</b>	125 VDC
<b>Temperature Range:</b>	-55/+125°C
<b>Temperature Coefficient:</b>	X7R
<b>Capacitance Change with Reference to +25°C and 0 VDC Applied (TCC):</b>	15%, 1kHz 1.0Vrms
<b>Dissipation Factor:</b>	2.5% 1 kHz 1.0Vrms
<b>Aging Rate:</b>	3% Loss/Decade Hour: Referee Time is 1000 Hours
<b>Insulation Resistance:</b>	1 GOhms