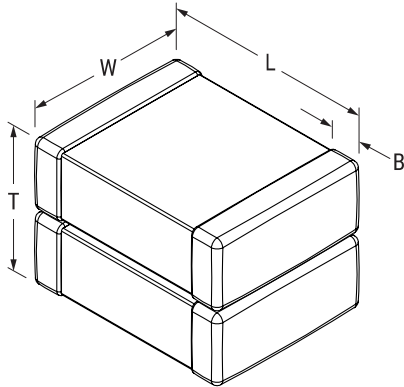


KONNEKT Auto X7R, Ceramic, 9400 pF, 10%, 2500 VDC, X7R



**Dimensions**

|          |                 |
|----------|-----------------|
| <b>L</b> | 4.5mm +/-0.3mm  |
| <b>W</b> | 3.2mm +/-0.3mm  |
| <b>T</b> | 5.1mm +/-0.4mm  |
| <b>B</b> | 0.6mm +/-0.35mm |

**Packaging Specifications**

|                            |                          |
|----------------------------|--------------------------|
| <b>Packaging:</b>          | T&R, 180mm, Plastic Tape |
| <b>Packaging Quantity:</b> | 200                      |

**General Information**

|                          |  |
|--------------------------|--|
| <b>Series:</b>           | KONNEKT Auto X7R                           |
| <b>Style:</b>            | KONNEKT                                    |
| <b>Description:</b>      | SMD, MLCC, KONNEKT, Ultra-Stable, Class II |
| <b>Features:</b>         | High Density Packaging                     |
| <b>RoHS:</b>             | Yes  |
| <b>Termination:</b>      | Tin  |
| <b>Qualifications:</b>   | AEC-Q200                                   |
| <b>AEC-Q200:</b>         | Yes  |
| <b>Component Weight:</b> | 350 mg                                     |
| <b>Chip Size:</b>        | 1812-2                                     |
| <b>Shelf Life:</b>       | 78 Weeks                                   |
| <b>MSL:</b>              | 1  |

**Specifications**

|  |                     |
|--|---------------------|
| <b>Capacitance:</b>  | 9400 pF             |
| <b>Measurement Condition:</b>  | 120 Hz 0.5Vrms      |
| <b>Capacitance Tolerance:</b>  | 10%                 |
| <b>Voltage DC:</b>   | 2500 VDC            |
| <b>Dielectric Withstanding Voltage:</b>                                    | 3000 VDC            |
| <b>Temperature Range:</b>  | -55/+125°C          |
| <b>Temperature Coefficient:</b>  | X7R                 |
| <b>Capacitance Change with Reference to +25°C and 0 VDC Applied (TCC):</b> | 15%, 1kHz 1.0Vrms   |
| <b>Dissipation Factor:</b>   | 2.5% 1 kHz 1.0Vrms  |
| <b>Aging Rate:</b>   | 3% Loss/Decade Hour |
| <b>Insulation Resistance:</b>  | 100 GOhms           |

Statements of suitability for certain applications are based on our knowledge of typical operating conditions for such applications, but are not intended to constitute - and we specifically disclaim - any warranty concerning suitability for a specific customer application or use. This Information is intended for use only by customers who have the requisite experience and capability to determine the correct products for their application. Any technical advice inferred from this Information or otherwise provided by us with reference to the use of our products is given gratis, and we assume no obligation or liability for the advice given or results obtained.