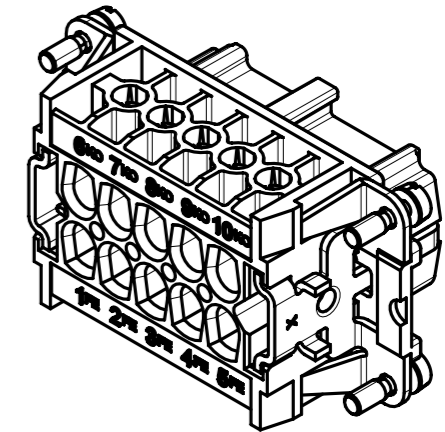
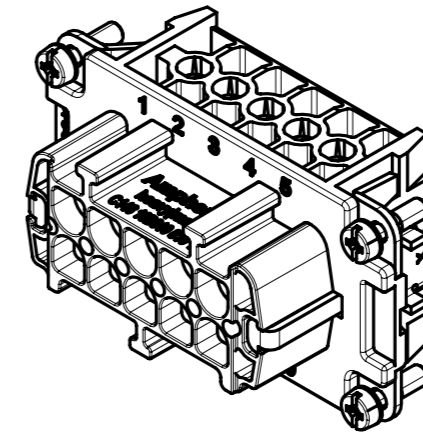
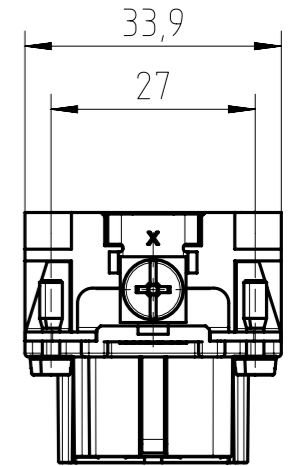
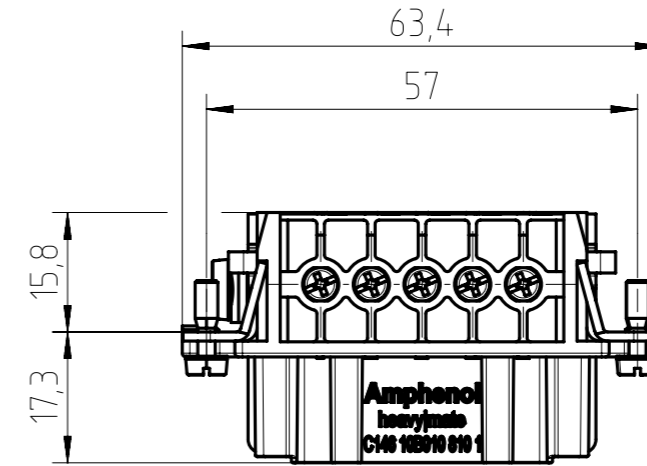
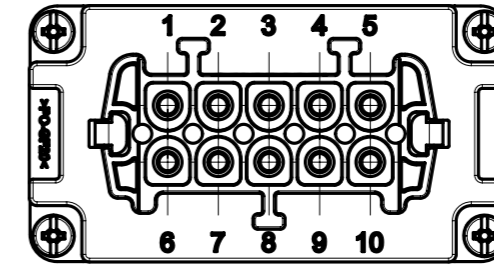


| General Characteristics | Standard | Value |
|--|---------------------|--|
| number of contacts | | 10 + PE |
| iron contacts | EUROMAP 14, part 1 | 1, 2, 3, 4, 5 |
| constantan contacts | EUROMAP 14, part 1 | 6, 7, 8, 9, 10 |
| termination technique | | screw with wire protection |
| wire gauge | | 0,5 mm ² - 2,5 mm ² AWG 20 - AWG 14 |
| max. insulation diameter | | 4,6 mm |
| stripping length | | 7,5 +0,5 mm |
| flammability | UL 94 | V-0 |
| Electrical Characteristics | Standard | Value |
| rated voltage | IEC 60664-1 | 500 V |
| pollution degree | IEC 60664-1 | 3 |
| installation (overvoltage) category | IEC 60664-1 | 3 |
| material group | IEC 60664-1 | 3b |
| rated impulse withstand voltage | IEC 60664-1 | 6 kV |
| rated current T _{amb} = 40 °C | | 16 A |
| current carrying capacity | IEC 60512-5-2 | see derating curve |
| contact resistance | IEC 60512-2-1 | ≤ 5 mΩ |
| insulation resistance | IEC 60512-3-1 | ≥ 10 ¹⁰ Ω |
| Climatical Characteristics | Standard | Value |
| climatic category | IEC 60068-1 | 40 / 125 / 21 |
| upper temperature | IEC 60512-11-9 | +125 °C |
| lower temperature | IEC 60512-11-10 | -40 °C |
| Mechanical Characteristics | Standard | Value |
| mechanical operation | IEC 60512-9-1 | ≥500 mating cycles |
| Materials | Standard | Value |
| insert | | PC GF |
| color | | grey |
| iron contacts | DIN IEC 584 (Typ J) | Fe/Au (gold plating) |
| constantan contacts | DIN IEC 584 (Typ J) | Ko (without plating) |

Alle technischen Daten wurden unter Laborbedingungen ermittelt und können im Praxisbetrieb abweichen. Es handelt sich bei den Angaben weder um Beschaffenheits- noch um Haltbarkeitsgarantien.
All technical data have been measured in a laboratory environment and can be different during practical usage of the product. Any product information is for descriptive usage only and not legally binding, particularly the information does not constitute or provide any legal guarantees ("Beschaffenheitsgarantie" or "Haltbarkeitsgarantie").



| | | | | | | |
|---------------------------------------|------------------------|-----------------------|-------|--|----|-----------------|
| Gewicht (errechnet) / Calc WT: 66,8 g | | Zul. Abw./Tolerances: | | Maßstab / Scale: 1:1 | A3 | |
| Prüfmaß / Testdimension | | ISO 2768-mH | | CUSTOMER DRAWING | | |
| Teileindex / Partindexnumber: | | DIN / ISO 13715 | | Buchseneinsatz 10-Pol | | |
| Bagatelle change: | | Gez. 31.07.2015 | | socket insert 10 pole | | |
| | | Drawn JHOENNIGE2 | | | | |
| | | Status Released | | | | |
| | | Gepr. 07.12.2017 | | | | |
| | | Checked MGRIMM | | | | |
| 05 | 201700427 | 06.12.2017 | PWÖLF | Amphenol Tuchel Industrial GmbH | | |
| 04 | 201600249 | 26.04.2016 | PWÖLF | | | |
| 03 | 201500911 | 17.02.2016 | MTOLK | | | |
| 02 | 201500151 | 31.07.2015 | JHÖNN | | | |
| Index | Änderung / Description | Datum / Date | Name | M C146 10B010 810 1 | | Blatt / Sheet 1 |
| | | | | Ers. f. / Replacement for: M-C146 10B010 810 1 Rev01 | | 1 Bl. |

Copying of this document and giving it to others and the use or communication of the contents thereof, are forbidden without express authority. Offenders are liable to the payment of damages. All rights are reserved in the event of the grant of a patent or the registration of the utility model or design.

Weitergabe sowie Vervielfältigung dieser Unterlage, Verwertung und Mitteilung ihres Inhalts nicht gestattet, soweit nicht ausdrücklich zugestanden. Zuwiderhandlungen verpflichten zu Schadenersatz. Alle Rechte für den Fall der Patenterteilung oder Gebrauchsmuster-Eintragung vorbehalten.

FAI2017-001591
NXM-V05