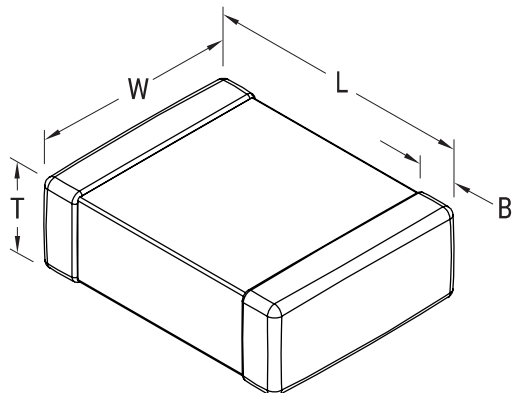


KEMET Part Number: C1206X120J5GACTU
(C1206X120J5GAC7800)

SMD Comm COG Flex, Ceramic, 12 pF, 5%, 50 VDC, COG, SMD, MLCC, FT-CAP, Ultra-Stable, 1206



Dimensions

Dimensions	
Chip Size	1206
L	3.3mm +/-0.4mm
W	1.6mm +/-0.35mm
T	0.78mm +/-0.20mm
B	0.6mm +/-0.25mm

Packaging Specifications

Packaging:	T&R, 180mm, Plastic Tape
Packaging Quantity:	4000

General Information

Series:	SMD Comm COG Flex
Style:	SMD Chip
Description:	SMD, MLCC, FT-CAP, Ultra-Stable
Features:	FT-CAP, Ultra-Stable
RoHS:	Yes
Termination:	Flexible Termination
Marking:	No
AEC-Q200:	No
Component Weight:	15 mg
Shelf Life:	78 Weeks
MSL:	1

Specifications

Capacitance:	12 pF
Measurement Condition:	1 MHz 1.0Vrms
Capacitance Tolerance:	5%
Voltage DC:	50 VDC
Dielectric Withstanding Voltage:	125 VDC
Temperature Range:	-55/+125°C
Temperature Coefficient:	COG
Capacitance Change with Reference to +25°C and 0 VDC Applied (TCC):	30 ppm/C, 1MegaHz 1.0Vrms
Dissipation Factor:	0.1% 1 MHz 1.0Vrms
Aging Rate:	0% Loss/Decade Hour
Insulation Resistance:	100 GOhms