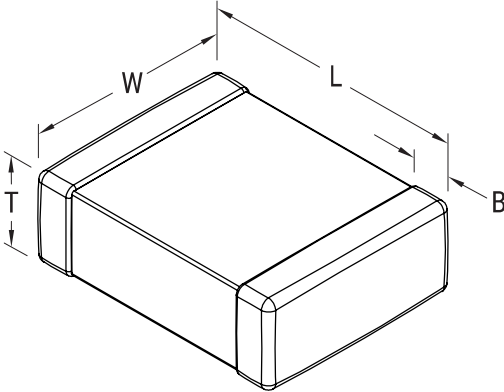


KEMET Part Number: C1206C331KCRACTU
(C1206C331KCRAC7800)

SMD Comm X7R HV, Ceramic, 330 pF, 10%, 500 VDC, X7R, SMD, MLCC, High Voltage, Temperature Stable, 1206



Dimensions

| Dimensions | |
|------------|-----------------|
| Chip Size | 1206 |
| L | 3.2mm +/-0.2mm |
| W | 1.6mm +/-0.2mm |
| T | 1mm +/-0.10mm |
| B | 0.5mm +/-0.25mm |

Packaging Specifications

| | |
|---------------------|--------------------------|
| Packaging: | T&R, 180mm, Plastic Tape |
| Packaging Quantity: | 2500 |

General Information

| | |
|-------------------|---|
| Series: | SMD Comm X7R HV |
| Style: | SMD Chip |
| Description: | SMD, MLCC, High Voltage, Temperature Stable |
| Features: | High Voltage |
| RoHS: | Yes |
| Termination: | Tin |
| Marking: | No |
| AEC-Q200: | No |
| Component Weight: | 25 mg |
| Shelf Life: | 78 Weeks |
| MSL: | 1 |

Specifications

| | |
|---|---|
| Capacitance: | 330 pF |
| Measurement Condition: | 1 kHz 1.0Vrms |
| Capacitance Tolerance: | 10% |
| Voltage DC: | 500 VDC |
| Dielectric Withstanding Voltage: | 750 VDC |
| Temperature Range: | -55/+125°C |
| Temperature Coefficient: | X7R |
| Capacitance Change with Reference to +25°C and 0 VDC Applied (TCC): | 15%, 1kHz 1.0Vrms |
| Dissipation Factor: | 2.5% 1 kHz 1.0Vrms |
| Aging Rate: | 3% Loss/Decade Hour: Referee Time is 1000 Hours |
| Insulation Resistance: | 100 GOhms |