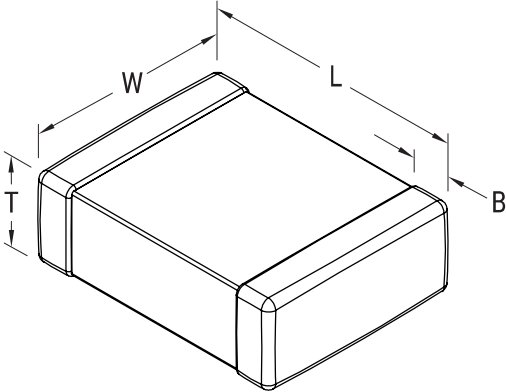


KEMET Part Number: C1206C226Z9VACTU
(C1206C226Z9VAC7800)



SMD Comm Y5V, Ceramic, 22 uF, -20/+80%, 6.3 VDC, Y5V, SMD, MLCC, General Purpose, Class III, 1206



Dimensions	
Chip Size	1206
L	3.2mm +/-0.2mm
W	1.6mm +/-0.2mm
T	1.6mm +/-0.20mm
B	0.5mm +/-0.25mm

Packaging Specifications	
Packaging:	T&R, 180mm, Plastic Tape
Packaging Quantity:	2000

General Information	
Series:	SMD Comm Y5V
Style:	SMD Chip
Description:	SMD, MLCC, General Purpose, Class III
Features:	Class III
RoHS:	Yes
Termination:	Tin
Marking:	No
AEC-Q200:	No
Component Weight:	41 mg
Shelf Life:	78 Weeks
MSL:	1

Specifications	
Capacitance:	22 uF
Measurement Condition:	120 Hz 0.5Vrms
Capacitance Tolerance:	-20/+80%
Voltage DC:	6.3 VDC
Dielectric Withstanding Voltage:	15.75 VDC
Temperature Range:	-30/+85°C
Temperature Coefficient:	Y5V
Capacitance Change with Reference to +25°C and 0 VDC Applied (TCC):	+22%/-82%, 120Hz 0.5Vrms
Dissipation Factor:	10% 120 Hz 0.5Vrms
Aging Rate:	7% Loss/Decade Hour: Referee Time is 48 Hours
Insulation Resistance:	2.3 MOhms

Statements of suitability for certain applications are based on our knowledge of typical operating conditions for such applications, but are not intended to constitute - and we specifically disclaim - any warranty concerning suitability for a specific customer application or use. This Information is intended for use only by customers who have the requisite experience and capability to determine the correct products for their application. Any technical advice inferred from this Information or otherwise provided by us with reference to the use of our products is given gratis, and we assume no obligation or liability for the advice given or results obtained.

