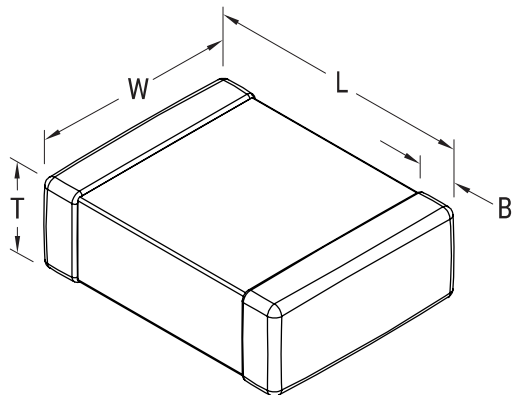


**KEMET Part Number: C1206C106M4PACTU**  
(C1206C106M4PAC7800)

SMD Comm X5R, Ceramic, 10 uF, 20%, 16 VDC, X5R, SMD, MLCC, Temperature Stable, Class II, 1206



**Dimensions**

<b>L</b>	3.2mm +/-0.2mm
<b>W</b>	1.6mm +/-0.2mm
<b>T</b>	1.6mm +/-0.20mm
<b>B</b>	0.5mm +/-0.25mm

**Packaging Specifications**

<b>Packaging:</b>	T&R, 180mm, Plastic Tape
<b>Packaging Quantity:</b>	2000

**General Information**

<b>Supplier:</b>	KEMET
<b>Series:</b>	SMD Comm X5R
<b>Style:</b>	SMD Chip
<b>Description:</b>	SMD, MLCC, Temperature Stable, Class II
<b>Features:</b>	Temperature Stable, Class II
<b>RoHS:</b>	Yes
<b>Termination:</b>	Tin
<b>Marking:</b>	No
<b>Miscellaneous:</b>	Note: Referee time for X5R dielectric for this part number is 48 hours
<b>Chip Size:</b>	1206

**Specifications**

<b>Capacitance:</b>	10 uF
<b>Capacitance Tolerance:</b>	20%
<b>Voltage DC:</b>	16 VDC
<b>Dielectric Withstanding Voltage:</b>	40 V
<b>Temperature Range:</b>	-55/+85C
<b>Temperature Coefficient:</b>	X5R
<b>Dissipation Factor:</b>	10.00% 1kHz 25C
<b>Aging Rate:</b>	5% Loss/Decade Hour
<b>Insulation Resistance:</b>	10 MOhms