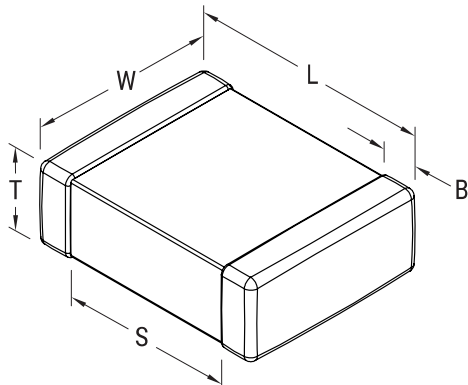


SMD Auto X7R Flex, Ceramic, 0.01 uF, 10%, 25 VDC, X7R, SMD, MLCC, FT-CAP, Automotive Grade, 0805



Dimensions

| Chip Size | 0805 |
|-----------|------------------|
| L | 2mm +/-0.3mm |
| W | 1.25mm +/-0.3mm |
| T | 0.78mm +/-0.20mm |
| S | 0.75mm MIN |
| B | 0.5mm +/-0.25mm |

Packaging Specifications

| | |
|---------------------|--------------------------|
| Packaging: | T&R, 180mm, Plastic Tape |
| Packaging Quantity: | 4000 |

General Information

| | |
|-------------------|-------------------------------------|
| Series: | SMD Auto X7R Flex |
| Style: | SMD Chip |
| Description: | SMD, MLCC, FT-CAP, Automotive Grade |
| Features: | FT-CAP, Automotive Grade |
| RoHS: | Yes |
| Termination: | Flexible Termination |
| Marking: | No |
| Qualifications: | AEC-Q200 |
| AEC-Q200: | Yes |
| Component Weight: | 13 mg |
| Shelf Life: | 78 Weeks |
| MSL: | 1 |

Specifications

| | |
|---|---|
| Capacitance: | 0.01 uF |
| Measurement Condition: | 1 kHz 1.0Vrms |
| Capacitance Tolerance: | 10% |
| Voltage DC: | 25 VDC |
| Dielectric Withstanding Voltage: | 62.5 VDC |
| Temperature Range: | -55/+125°C |
| Temperature Coefficient: | X7R |
| Capacitance Change with Reference to +25°C and 0 VDC Applied (TCC): | 15%, 1kHz 1.0Vrms |
| Dissipation Factor: | 3.5% 1 kHz 1.0Vrms |
| Aging Rate: | 3% Loss/Decade Hour: Referee Time is 1000 Hours |
| Insulation Resistance: | 100 GOhms |