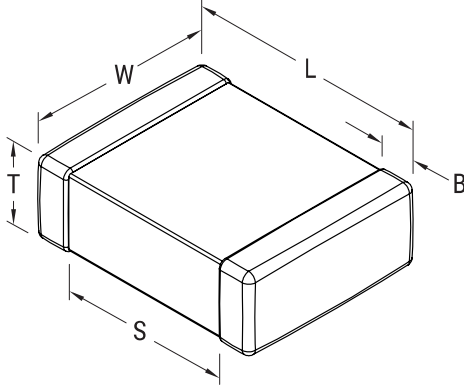


KEMET Part Number: C0805C684J3NACTU
(C0805C684J3NAC7800)

SMD Comm X8L HT150C, Ceramic, 0.68 uF, 5%, 25 VDC, X8L, SMD, MLCC, High Temperature, Temperature Stable, 0805



Dimensions

Chip Size	0805
L	2mm +/-0.2mm
W	1.25mm +/-0.2mm
T	1.25mm +/-0.20mm
S	0.75mm MIN
B	0.5mm +/-0.25mm

Packaging Specifications

Packaging:	T&R, 180mm, Plastic Tape
Packaging Quantity:	2500

General Information

Series:	SMD Comm X8L HT150C
Style:	SMD Chip
Description:	SMD, MLCC, High Temperature, Temperature Stable
Features:	High Temperature, Temperature Stable
RoHS:	Yes
Termination:	Tin
Marking:	No
AEC-Q200:	No
Component Weight:	21 mg
Shelf Life:	78 Weeks
MSL:	1

Specifications

Capacitance:	0.68 uF
Measurement Condition:	1 kHz 1.0Vrms
Capacitance Tolerance:	5%
Voltage DC:	25 VDC
Dielectric Withstanding Voltage:	62.5 VDC
Temperature Range:	-55/+150°C
Temperature Coefficient:	X8L
Capacitance Change with Reference to +25°C and 0 VDC Applied (TCC):	+15%/-40%, 1kHz 1.0Vrms
Dissipation Factor:	2.5% 1 kHz 1.0Vrms
Aging Rate:	3% Loss/Decade Hour: Referee Time is 1000 Hours
Insulation Resistance:	735.3 MOhms