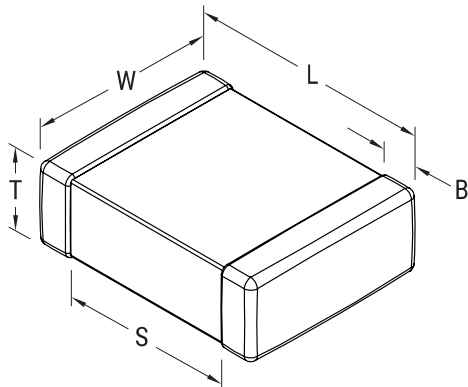


KEMET Part Number: C0603X153K3GECTU
(C0603X153K3GEC7867)

KEMET

a YAGEO company

ESD SMD Comm COG, Ceramic, 0.015 uF, 10%, 25 VDC, COG, SMD, MLCC, Temperature Stable, Electro Static Discharge, Class I, 0603



Dimensions

| Chip Size | 0603 |
|-----------|------------------|
| L | 1.6mm +/-0.17mm |
| W | 0.8mm +/-0.15mm |
| T | 0.8mm +/-0.15mm |
| S | 0.58mm MIN |
| B | 0.45mm +/-0.15mm |

Packaging Specifications

| | |
|----------------------------|------------------------|
| Packaging: | T&R, 180mm, Paper Tape |
| Packaging Quantity: | 4000 |

General Information

| | |
|--------------------------|--|
| Series: | ESD SMD Comm COG |
| Style: | SMD Chip |
| Description: | SMD, MLCC, Temperature Stable, Electro Static Discharge, Class I |
| Features: | Temperature Stable, Low ESR, Class I |
| RoHS: | Yes |
| Termination: | Flexible Termination |
| Marking: | No |
| AEC-Q200: | No |
| Component Weight: | 4600 ug |
| Shelf Life: | 78 Weeks |
| MSL: | 1 |

Specifications

| | |
|--|------------------------|
| Capacitance: | 0.015 uF |
| Measurement Condition: | 1 kHz 1.0Vrms |
| Capacitance Tolerance: | 10% |
| Voltage DC: | 25 VDC |
| ESD Level per AEC-Q200: | 25,000 V ESD Level |
| Dielectric Withstanding Voltage: | 62.5 VDC |
| Temperature Range: | -55/+125°C |
| Temperature Coefficient: | COG |
| Capacitance Change with Reference to +25°C and 0 VDC Applied (TCC): | 30 ppm/C, 1kHz 1.0Vrms |
| Dissipation Factor: | 0.1% 1 kHz 1.0Vrms |
| Aging Rate: | 0% Loss/Decade Hour |
| Insulation Resistance: | 66.6667 GOhms |

Statements of suitability for certain applications are based on our knowledge of typical operating conditions for such applications, but are not intended to constitute - and we specifically disclaim - any warranty concerning suitability for a specific customer application or use. This Information is intended for use only by customers who have the requisite experience and capability to determine the correct products for their application. Any technical advice inferred from this Information or otherwise provided by us with reference to the use of our products is given gratis, and we assume no obligation or liability for the advice given or results obtained.

KEMET

a YAGEO company