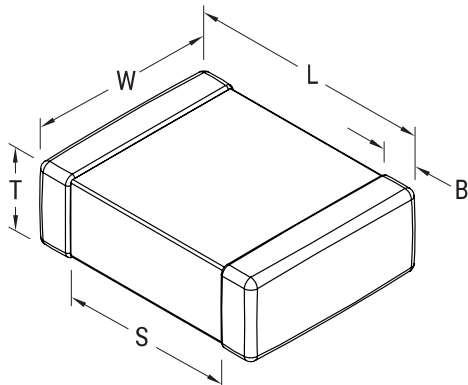


SMD Auto COG, Ceramic, 1500 pF, 5%, 100 VDC, COG, SMD, MLCC, Ultra-Stable, Low Loss, Automotive Grade, 0603



Dimensions

| Dimensions | |
|------------|------------------|
| Chip Size | 0603 |
| L | 1.6mm +/-0.15mm |
| W | 0.8mm +/-0.15mm |
| T | 0.8mm +/-0.07mm |
| S | 0.7mm MIN |
| B | 0.35mm +/-0.15mm |

Packaging Specifications

| | |
|---------------------|------------------------|
| Packaging: | T&R, 180mm, Paper Tape |
| Packaging Quantity: | 4000 |

General Information

| | |
|-------------------|---|
| Series: | SMD Auto COG |
| Style: | SMD Chip |
| Description: | SMD, MLCC, Ultra-Stable, Low Loss, Automotive Grade |
| Features: | Ultra-Stable, Low Loss, Automotive Grade |
| RoHS: | Yes |
| Termination: | Tin |
| Marking: | No |
| Qualifications: | AEC-Q200 |
| AEC-Q200: | Yes |
| Component Weight: | 3700 ug |
| Shelf Life: | 78 Weeks |
| MSL: | 1 |

Specifications

| | |
|---|------------------------|
| Capacitance: | 1500 pF |
| Measurement Condition: | 1 kHz 1.0Vrms |
| Capacitance Tolerance: | 5% |
| Voltage DC: | 100 VDC |
| Dielectric Withstanding Voltage: | 250 VDC |
| Temperature Range: | -55/+125°C |
| Temperature Coefficient: | COG |
| Capacitance Change with Reference to +25°C and 0 VDC Applied (TCC): | 30 ppm/C, 1kHz 1.0Vrms |
| Dissipation Factor: | 0.1% 1 kHz 1.0Vrms |
| Aging Rate: | 0% Loss/Decade Hour |
| Insulation Resistance: | 100 GOhms |