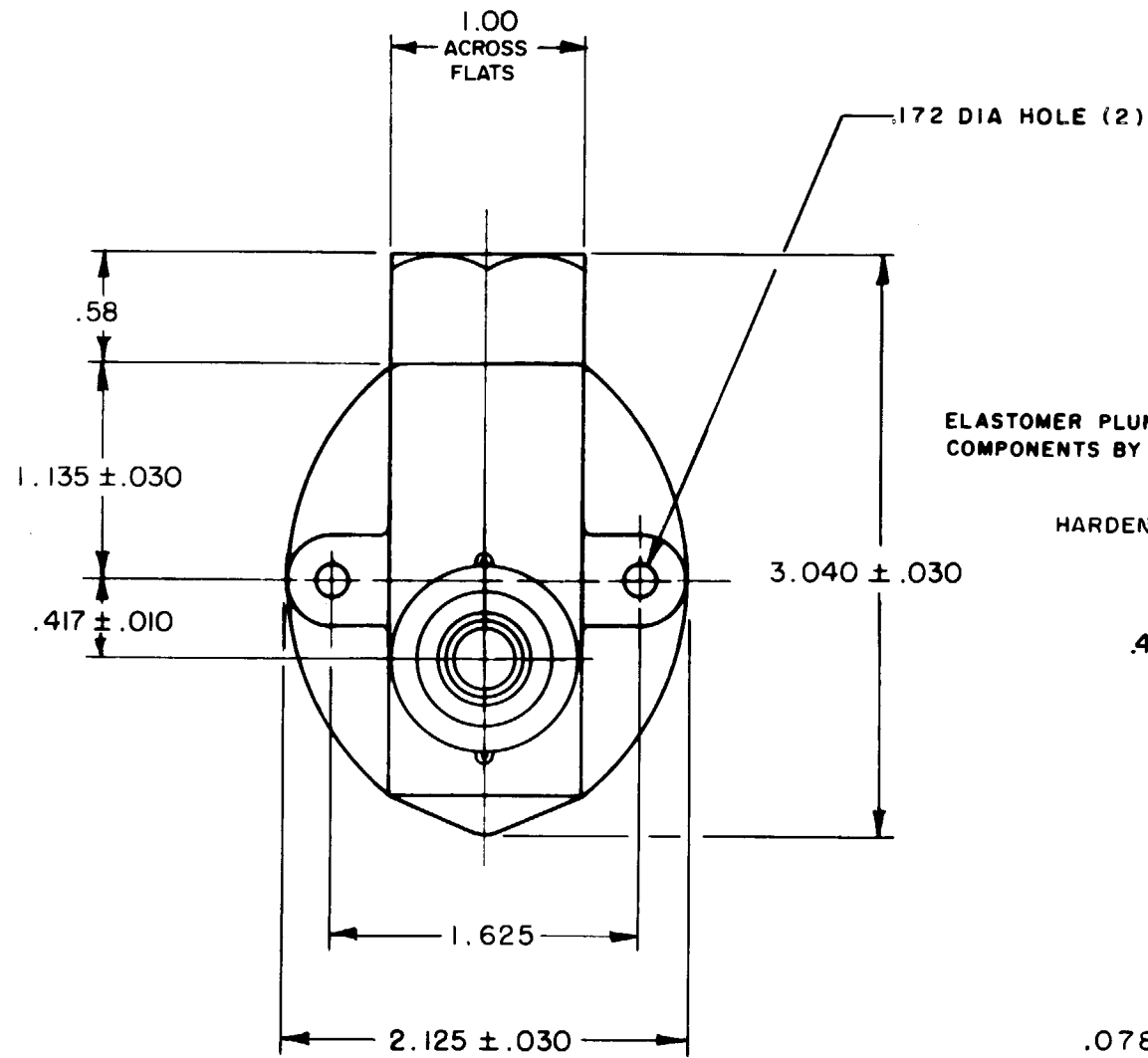


M BZV6-RNX1
 DRAWING NUMBER
 26
 ISSUE
 X
 REVISIONS
 A C053191F TSK 13 APR 84
 B C055989 CJH 5 NOV 84
 C C054958 TSK 30 MAY 85
 D C072661 DAW 16 SEP 92
 E C077179-E CO 18 MAY 94
 FO-50378-003
 DRAWN
 M B F 17 NOV 67
 CHECK
 L S D
 22 NOV 67
 CHECK
 R O
 22 NOV 67
 CHECK
 S R I 3059
 RELEASE NO.
 22 NOV 67
 CHECK
 R O
 22 NOV 67
 CHECK
 S R I 3059
 REPLACES



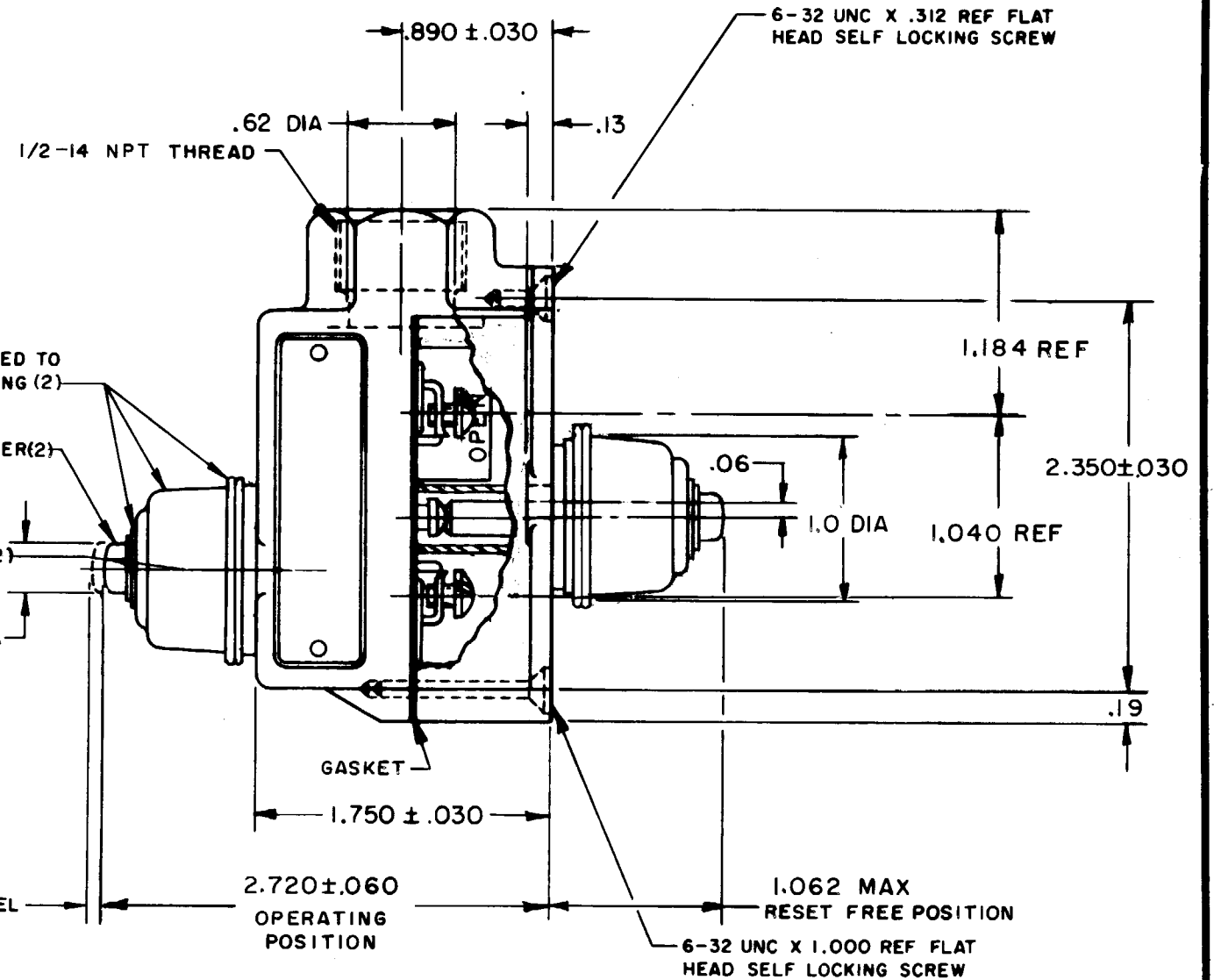
ELASTOMER PLUNGER SEAL SECURED TO COMPONENTS BY EXTERNAL BANDING (2)

HARDENED STEEL PLUNGER (2)

.47 SPHERICAL R (2)

.33 DIA

.078 MAX PRETRAVEL



NOTE -

1 - 6-32 UNC X .219 REF BINDING HEAD TERMINAL SCREW (3)

THIS DRAWING COVERS A PROPRIETARY ITEM AND IS THE PROPERTY OF MICRO SWITCH, A DIVISION OF MINNEAPOLIS-HONEYWELL REGULATOR CO. THIS DRAWING IS NOT TO BE COPIED OR USED WITHOUT THE APPROVAL OF MICRO SWITCH.		
CHARACTERISTICS	ELECTRICAL DATA	SCALE FULL
OPERATING FORCE - - - - 6-20 OZ	CONTACT ARRANGEMENT SINGLE POLE DOUBLE THROW MAINTAINED CONTACT	DO NOT SCALE PRINT
OVETRAVEL - - - - .188 MIN		UNLESS OTHERWISE SPECIFIED
RESET CHARACTERISTICS		DIMENSIONS ARE IN INCHES
OPERATING FORCE - - - - 6 OZ MIN	-L67- 15 A-125, 250, OR 480 VAC 1/4 HP-125 VAC; 1/2 HP-250 VAC 1/2 A-125 VDC; 1/4 A-250 VDC	TOLERANCES ARE:
SWITCH-BASIC REPLACEMENT-BZ-RNX167		ONE PLACE (.0) ±.030 TWO PLACE (.00) ±.015 THREE PLACE (.000) ±.005 ANGLES ±
		WEIGHT .67 LB