

MICRO SWITCH

A DIVISION OF MINNEAPOLIS-HONEYWELL REGULATOR COMPANY
 FREEPORT, ILLINOIS

FED. MFR. CODE 91929

SWITCH - BASIC

CATALOG LISTING
BZ - RW84

CATALOG LISTING

BZ - RW84

PAGE 1 OF 1

REPLACES

RELEASE NO.

CHECK

CHECK

CHECK

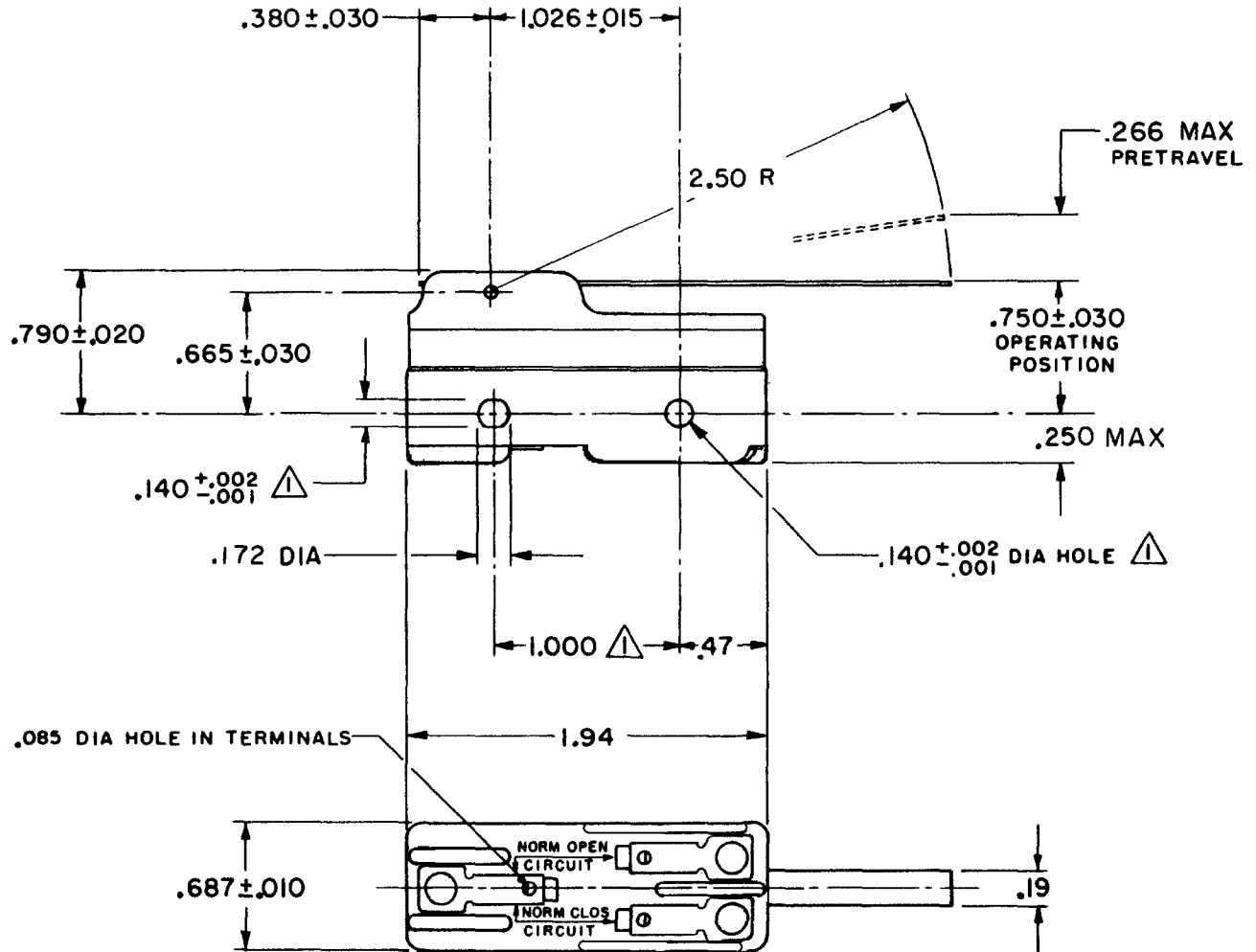
CHECK

ISSUE

14

REVISIONS

A	CO	16736	GCH	18 MAY 62
B	CO	23645	M B F	22 JAN 68
C	CO	46304	J A P	12 OCT 79
D	CO	58037	SMA	1 OCT 85
E	CO	78874	DLT	18 NOV 94
F	CO	94212-J	J J A	5 OCT 99
G		203155	CSL	25 MAY 01



NOTE - - MOUNTING HOLES WILL ACCEPT PINS OR SCREWS OF .139 MAX DIA ON 1.000 ± .002 CENTERS.

THIS DRAWING COVERS A PROPRIETARY ITEM AND IS THE PROPERTY OF MICRO SWITCH, A DIVISION OF MINNEAPOLIS-HONEYWELL REGULATOR CO. THIS DRAWING IS NOT TO BE COPIED OR USED WITHOUT THE APPROVAL OF MICRO SWITCH.

CHARACTERISTICS	ELECTRICAL DATA	SCALE FULL
OPERATING FORCE ----- 3/4 OZ MAX	CONTACT ARRANGEMENT S P D T	DO NOT SCALE PRINT
RELEASE FORCE ----- 1/8 OZ MIN	L103 15A 125, 250 OR 480 VAC 1/8HP 125 VAC, 1/4HP 250 VAC	UNLESS OTHERWISE SPECIFIED DIMENSIONS ARE IN INCHES TOLERANCES ARE:
DIFFERENTIAL TRAVEL ----- .003 - .015	L288	ONE PLACE (.0) ± .090
OVERTRAVEL ----- .219 MIN	L299	TWO PLACE (.00) ± .015
	L306	THREE PLACE (.000) ± .005
	16A 250V T85 5E4	ANGLES ±
		WEIGHT .060 LB

RASTER

FO-50378

DRAWN

GCH 18 MAY 62