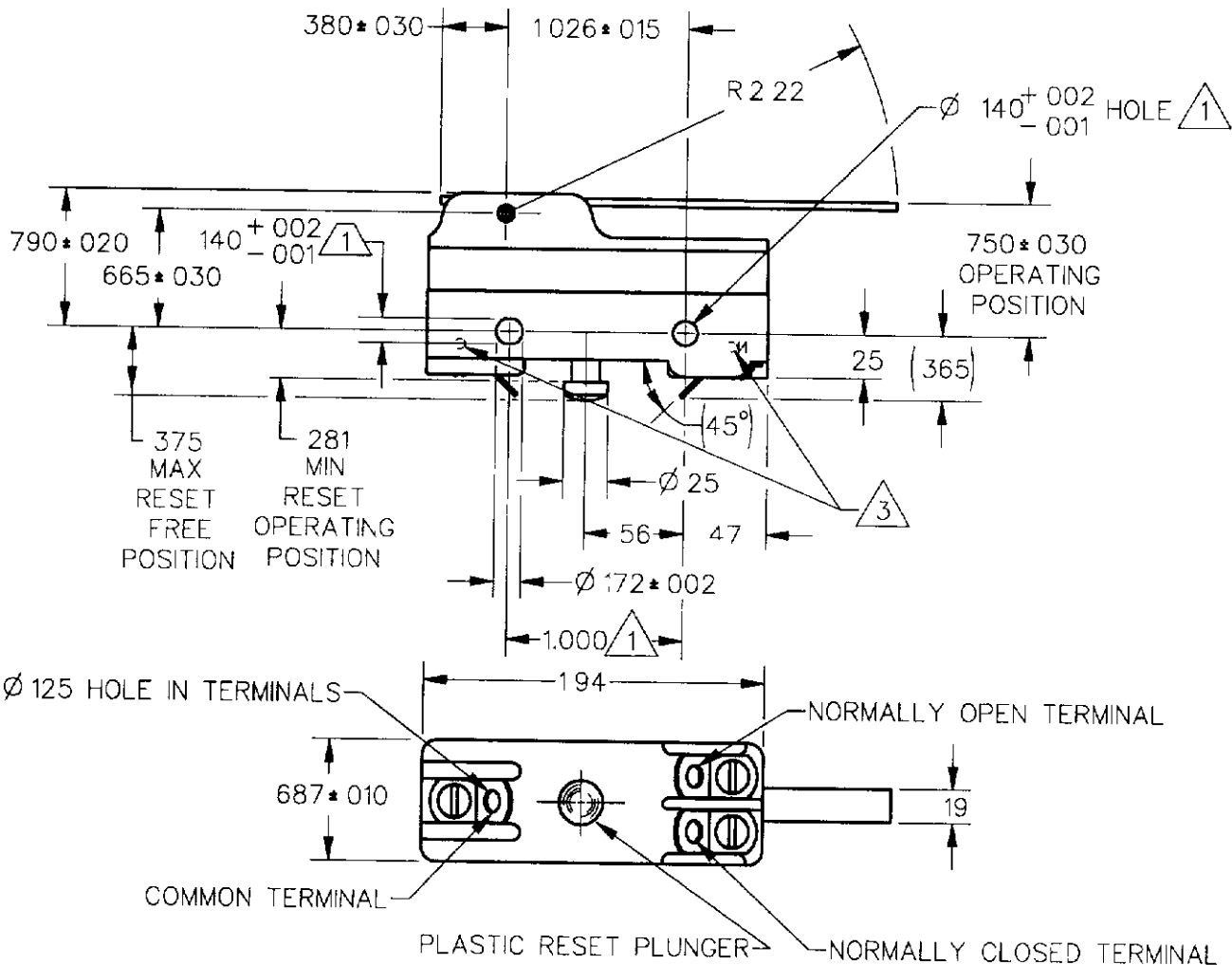


MICRO SWITCH
a Honeywell Division
FED MFG CODE 91928

SWITCH - BASIC

CATALOG LISTING
BZ-RW84X33

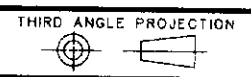
CATALOG LISTING
BZ-RW84X33
 ISSUE **M**
 2
 REVISIONS
 A 77590
 15 JUN 94
 DDM/CAD
 DRAWN
 D H D 17 MAY 93
 CHECK
 D C S 7 MAY 93
 CHECK
 RELEASE NO PR-20569
 REPLACES X94478-BZ



- NOTE
- 1 MOUNTING HOLES WILL ACCEPT PINS OR SCREWS OF ϕ 139 MAX ON 1000 ± 002 CENTERS
 - 2 - LEVER IS NOT NECESSARILY SELF RETURNING WHEN RESET PLUNGER IS PUSHED AND SWITCH IS IN THE UPRIGHT POSITION
 - 3 COMMON AND NORMALLY CLOSED TERMINALS ARE DESIGNATED ON OTHER SIDE OF SWITCH

ANSI Y14.5M-1982 APPLIES

THIS DRAWING COVERS A PROPRIETARY ITEM AND IS THE PROPERTY OF MICRO SWITCH, A DIVISION OF HONEYWELL. THIS DRAWING IS NOT TO BE COPIED OR USED WITHOUT THE APPROVAL OF MICRO SWITCH.



CHARACTERISTICS	ELECTRICAL DATA	SCALE FULL	DO NOT SCALE PRINT
OPERATING FORCE - - - - 8 GRAMS MAX	CONTACT ARRANGEMENT S P D T MAINTAINED CONTACT	UNLESS OTHERWISE SPECIFIED TOLERANCES ARE	
OVERTRAVEL - - - - - 219 MIN	L8 10A 125, 250 OR 480 VAC		
RESET CHARACTERISTICS			TWO PLACE (00) ± 015
OPERATING FORCE - - - - - 1 1/2-4 OZ		THREE PLACE (000) ± 005	
OVERTRAVEL - - - - - 015 MIN		ANGLES ±	
		WEIGHT	

