

**MICRO SWITCH**

FREEPORT ILLINOIS U S A  
A DIVISION OF HONEYWELL  
FED MFG CODE 91929

**SWITCH - BASIC**

CATALOG LISTING

**BZ - RW84461 - A2**

**M BZ - RW84461 - A2**

DRAWING NUMBER

ISSUE  
X 6  
X 3  
X A

REPLACES

RELEASE NO PR-3708

CHECK

REVISIONS

A	CORR	30 APR 71
B	CO32760 PR-3708	20 NOV 73
C	CO63429	4 APR 90
D	CO-73287-J	22 NOV 93
E	CO-77588 MAM	29 MAR 94

CHECK

CHECK

CHECK

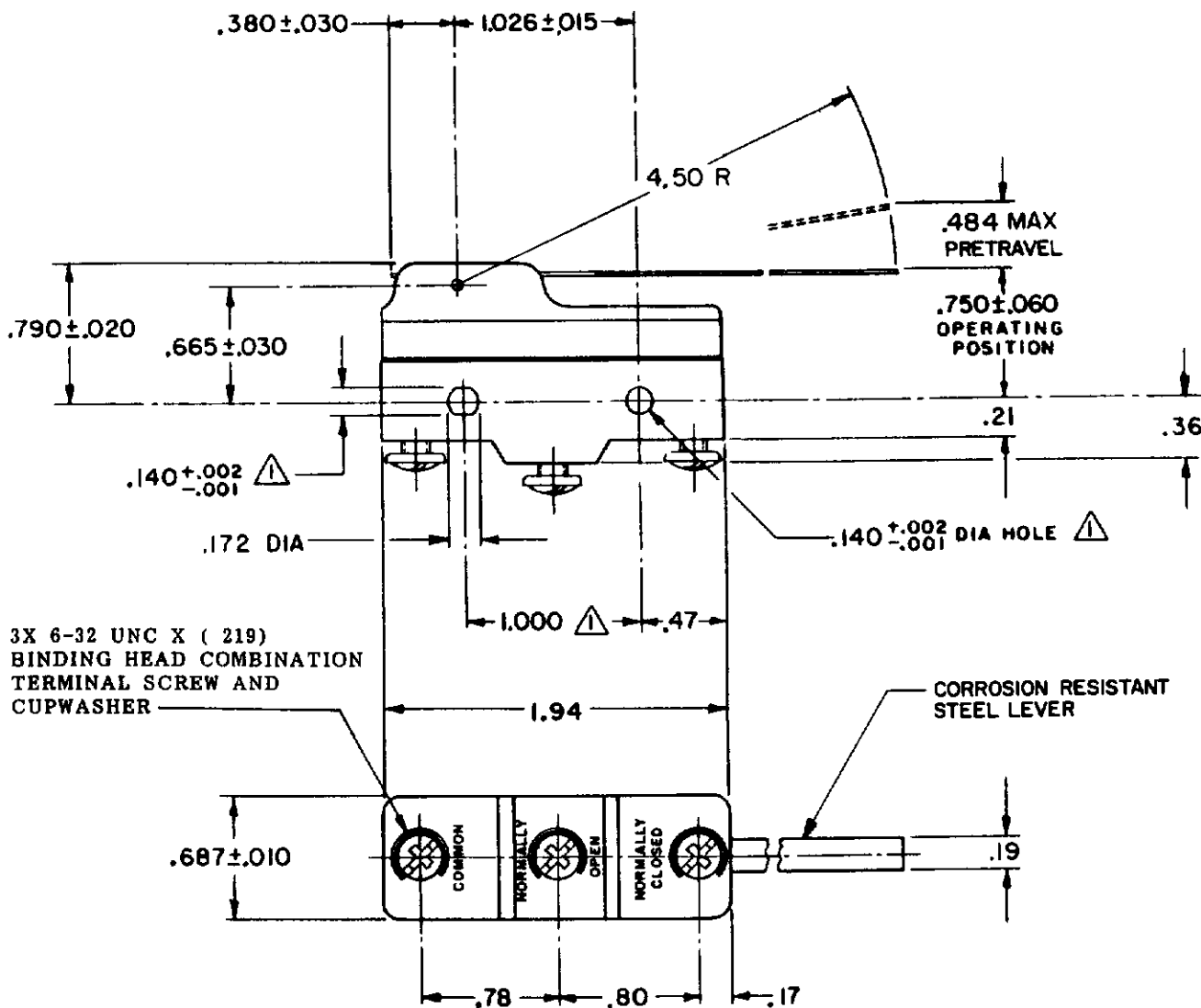
CHECK

CHECK

CHECK

CHECK

CHECK



NOTE -

- ▲ - MOUNTING HOLES WILL ACCEPT PINS OR SCREWS OF .139 MAX DIA ON 1.000 ± .002 CENTERS
- 2 - SWITCH WILL WITHSTAND TEMPERATURE OF 400° F FOR 100 HOURS
- 3 - FORCES TO BE CHECKED WITH SWITCH LYING ON ITS SIDE

THIS DRAWING COVERS A PROPRIETARY ITEM AND IS THE PROPERTY OF MICRO SWITCH A DIVISION OF HONEYWELL THIS DRAWING IS NOT TO BE COPIED OR USED WITHOUT THE APPROVAL OF MICRO SWITCH

**CHARACTERISTICS**

OPERATING FORCE ----- 1/2 OZ MAX  
RELEASE FORCE ----- 1/8 OZ APPROX  
DIFFERENTIAL TRAVEL ----- .007 - .027  
OVERTRAVEL ----- .406 MIN

**ELECTRICAL DATA**

CONTACT ARRANGEMENT  
S P D T  
  
UNDERWRITERS' LAB. INC. LISTED RATING  
-L34- 5A-125, 250 OR 480 VAC



**SCALE FULL**

DO NOT SCALE PRINT  
  
UNLESS OTHERWISE NOTED  
DIMENSIONS ARE IN INCHES  
**TOLERANCES ARE:**  
ONE PLACE ( 0 ) ± .030  
TWO PLACE ( .00 ) ± .015  
THREE PLACE ( .000 ) ± .005  
ANGLES ±  
  
WEIGHT .073 LB

O-80378-1A

DRAWN

R C R 28 APR 71