

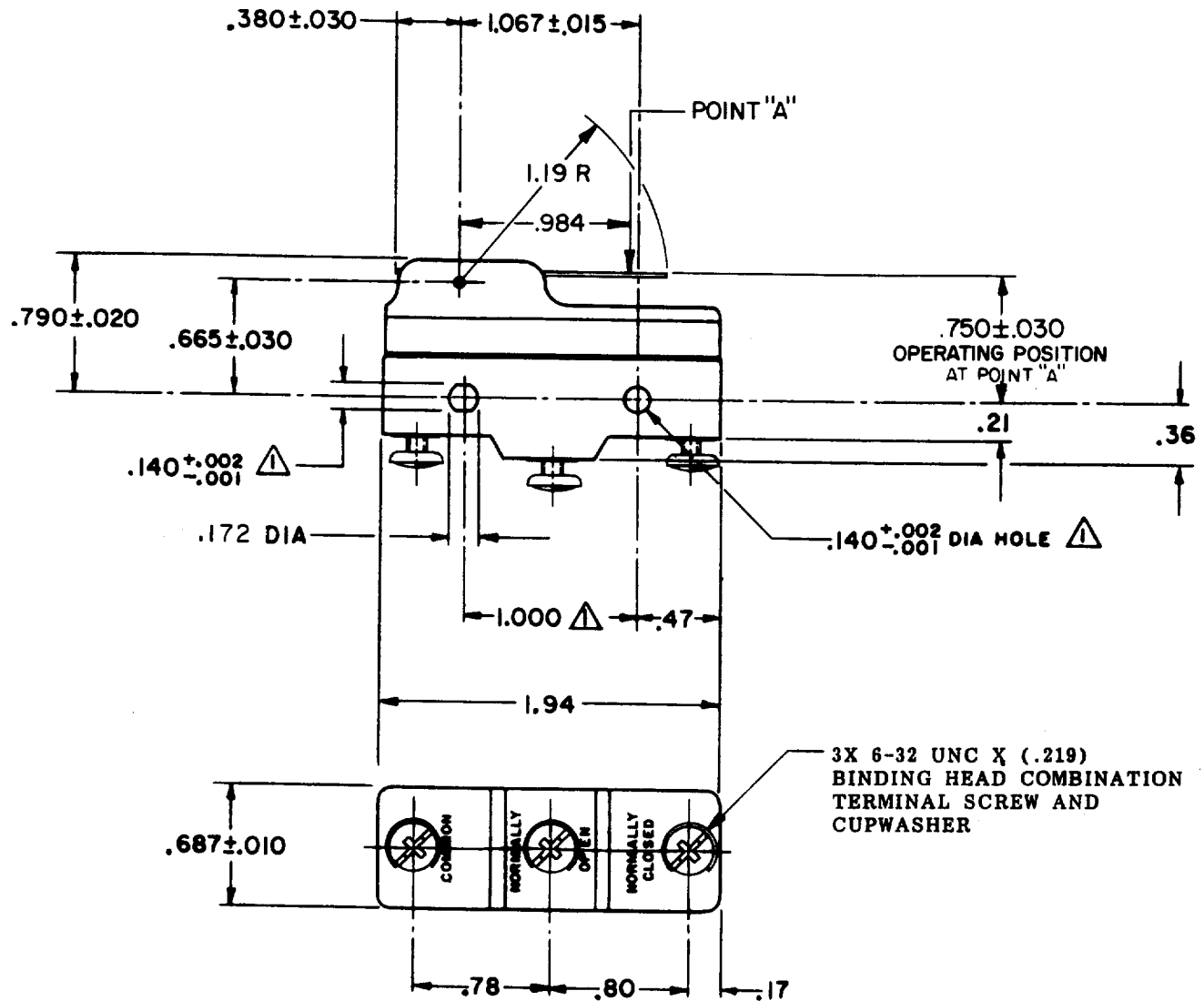
# MICRO SWITCH

FREERPORT ILLINOIS, U.S.A  
A DIVISION OF HONEYWELL  
FED. MFG. CODE 91929

# SWITCH-BASIC

CATALOG LISTING  
**BZ-RW84411-A2**

5



**NOTE -**  
 ⚠ - MOUNTING HOLES WILL ACCEPT PINS OR SCREWS OF .139 MAX DIA ON 1.000±.002 CENTERS  
 2 - FORCES ARE CHECKED WITH SWITCH LYING ON SIDE

THIS DRAWING COVERS A PROPRIETARY ITEM AND IS THE PROPERTY OF MICRO SWITCH, A DIVISION OF HONEYWELL. THIS DRAWING IS NOT TO BE COPIED OR USED WITHOUT THE APPROVAL OF MICRO SWITCH.

THIRD ANGLE PROJECTION

### CHARACTERISTICS AT POINT "A" 2

OPERATING FORCE ----- 18-35 GRAM  
 DIFFERENTIAL FORCE ----- 5-14 GRAM  
 DIFFERENTIAL TRAVEL --- .0018-.0027  
 OVERTRAVEL ----- .120 MIN

### ELECTRICAL DATA

CONTACT ARRANGEMENT  
S P D T

CODE L 103 15A-125, 250 OR 480 VAC  
 1/8HP-125 VAC; 1/4HP-250 VAC

SCALE FULL

DO NOT SCALE PRINT

### TOLERANCES

APPLY TO DESIGN UNITS. CONVERSIONS ARE ONLY FOR REFERENCE. UNLESS NOTED, TOLERANCES ARE ±

	DIM. mm	TOL. mm/In	DIM. in	TOL. mm/in
NO PLACES	X	1/.04	X	0.8/.03
ONE PLACE	X.X	0.4/.018	X.X	0.38/.015
TWO PLACES	X.XX	0.18/.008	X.XX	0.13/.006
THREE PLACES	X.XXX		X.XXX	
ANGLES				

DESIGN UNITS  SI METRIC  US CUSTOMARY

WEIGHT .073 LB

BZ-RW84411-A2

M

DRAWING NUMBER

87

X 8

ISSUE

X 8

REPLACES

PR-5152

CHECK

REVISIONS

A	CO 35953	R E R	21 OCT 75
B	CO 51942	R J H	13 SEP 82
C	CO 52338	S L B	10 NOV 82
D	CO-74398	J W B	9 MAR 93
E	CO-73287-J	J A L	22 NOV 93
F	CO-77589	J A L	30 MAR 94

CHECK

8 AUG 75

8 AUG 75

8 AUG 75

8 AUG 75

8 AUG 75

8 AUG 75

8 AUG 75

FO-52848-A

DRAWN

K P K 7

AUG 75