

MICRO SWITCH

A DIVISION OF MINNEAPOLIS-HONEYWELL REGULATOR COMPANY
 FREEPORT, ILLINOIS

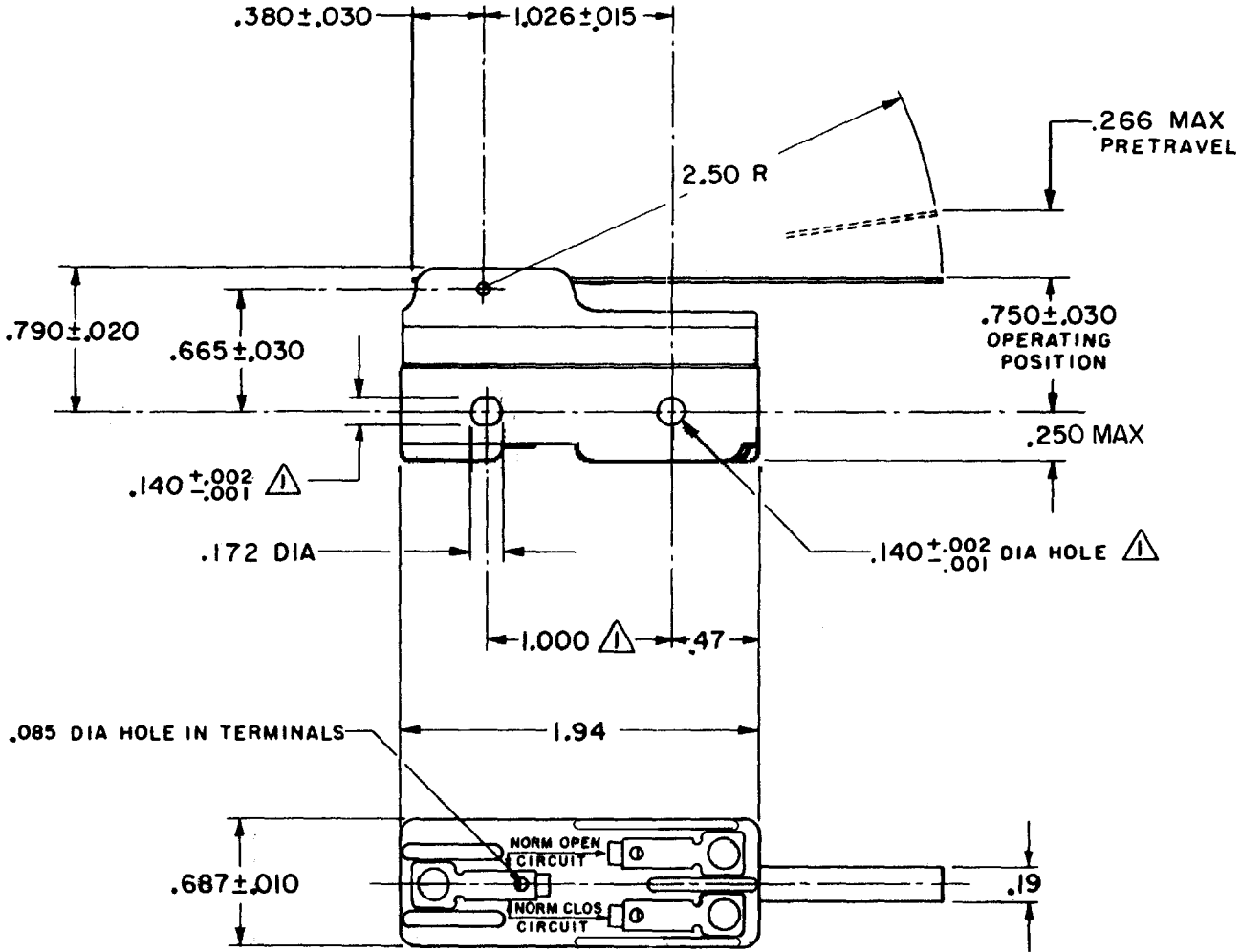
FED. MFR. CODE 91929

SWITCH-BASIC

CATALOG LISTING

BZ - RW8435

CATALOG LISTING
BZ - RW8435
 PAGE 1 OF 1
M
 ISSUE 13
 REVISIONS
 A CO 16736 GCH 18 MAY 62
 B CO-28857 MJB 6 APR 71
 C CO33566 PKK 12 SEP 74
 D CO46304
 J A P 13 OCT 79
 E CO 58037 SMA 1 OCT 85
 F CO-78874 DLT 18 NOV 94
 G CO-94212-J JJA 5 OCT 99
 H 203222 CSL 6 JUN 01
 FO-50378
 DRAWN GCH 18 MAY 62
 CHECK DAW 29 MAY 62
 RASTER



NOTE
 MOUNTING HOLES WILL ACCEPT PINS OR SCREWS OF .139 MAX DIA ON 1.000 ± .002 CENTERS

THIS DRAWING COVERS A PROPRIETARY ITEM AND IS THE PROPERTY OF MICRO SWITCH, A DIVISION OF MINNEAPOLIS-HONEYWELL REGULATOR CO. THIS DRAWING IS NOT TO BE COPIED OR USED WITHOUT THE APPROVAL OF MICRO SWITCH.

CHARACTERISTICS	ELECTRICAL DATA	SCALE FULL
OPERATING FORCE ----- 1/4 OZ MAX	CONTACT ARRANGEMENT S P D T	DO NOT SCALE PRINT
DIFFERENTIAL TRAVEL ----- .003 - .015	L169 10A 125, 250, 277 VAC 1/8HP 125 VAC, 1/4HP 250 VAC	UNLESS OTHERWISE SPECIFIED DIMENSIONS ARE IN INCHES TOLERANCES ARE:
OVERTRAVEL ----- .219 MIN	L288 CE UL SR	ONE PLACE (.0) ± .030 TWO PLACE (.00) ± .015 THREE PLACE (.000) ± .005 ANGLES ±
		WEIGHT .060 LB