

MICRO SWITCH

A DIVISION OF MINNEAPOLIS-HONEYWELL REGULATOR COMPANY
PREEPORT, ILLINOIS

FED. MFR. CODE 91929

SWITCH-BASIC

CATALOG LISTING
BZ-RW842

CATALOG LISTING
BZ-RW842
PAGE 1 OF 1
M
ISSUE
11

REPLACES

RELEASE NO.

CHECK

CHECK

DAW 6 SEPT 62

CHECK

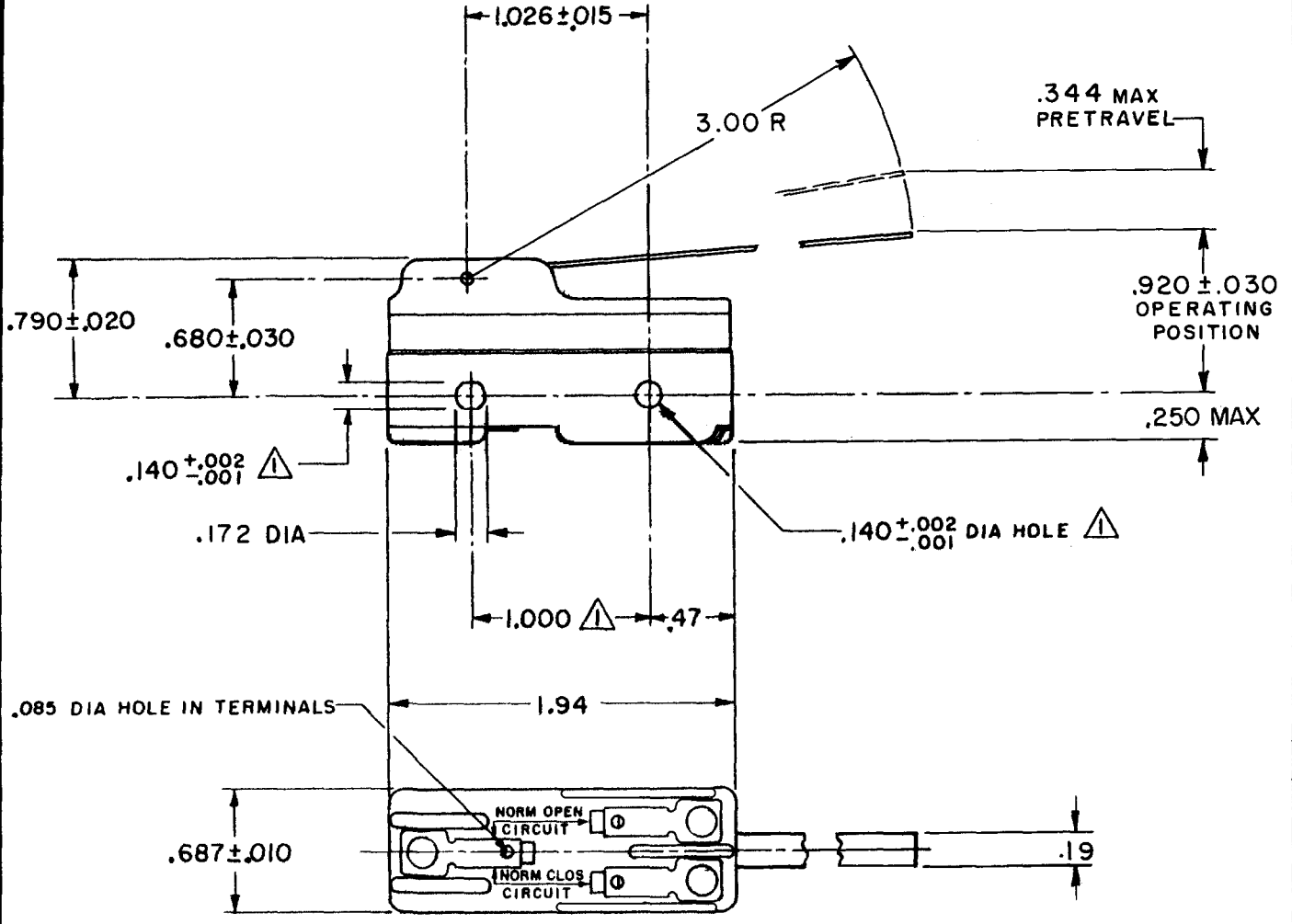
DAW 6 SEPT 62

CHECK

DAW 6 SEPT 62

CHECK

DAW 6 SEPT 62



NOTES
 ▲ MOUNTING HOLES WILL ACCEPT PINS OR SCREWS OF .139 MAX DIA ON 1.000 ± .002 CENTERS.
 2 - FORCES ARE CHECKED WITH SWITCH LYING ON SIDE

THIS DRAWING COVERS A PROPRIETARY ITEM AND IS THE PROPERTY OF MICRO SWITCH, A DIVISION OF MINNEAPOLIS-HONEYWELL REGULATOR CO; THIS DRAWING IS NOT TO BE COPIED OR USED WITHOUT THE APPROVAL OF MICRO SWITCH.

CHARACTERISTICS	
OPERATING FORCE	5 GRAM MAX
RELEASE FORCE	1 GRAM MIN
DIFFERENTIAL TRAVEL	.004 - .020
OVERTRAVEL	.141 MIN

ELECTRICAL DATA	
CONTACT ARRANGEMENT S P D T	
L95	10A 125, 250 OR 480 VAC 1/8HP 125 VAC, 1/4HP 250 VAC
L288	CE

SCALE FULL	
DO NOT SCALE PRINT	
UNLESS OTHERWISE SPECIFIED DIMENSIONS ARE IN INCHES	
TOLERANCES ARE:	
ONE PLACE (.0)	±.030
TWO PLACE (.00)	±.015
THREE PLACE (.000)	±.005
ANGLES	±
WEIGHT .060 LB	

FO-3037B
DRAWN
RASTER
L M H 5 SEP 62