

# MICRO SWITCH

A DIVISION OF MINNEAPOLIS-HONEYWELL REGULATOR COMPANY  
MINNEAPOLIS, MINNESOTA

FED. MFR. CODE 91929

## SWITCH - BASIC

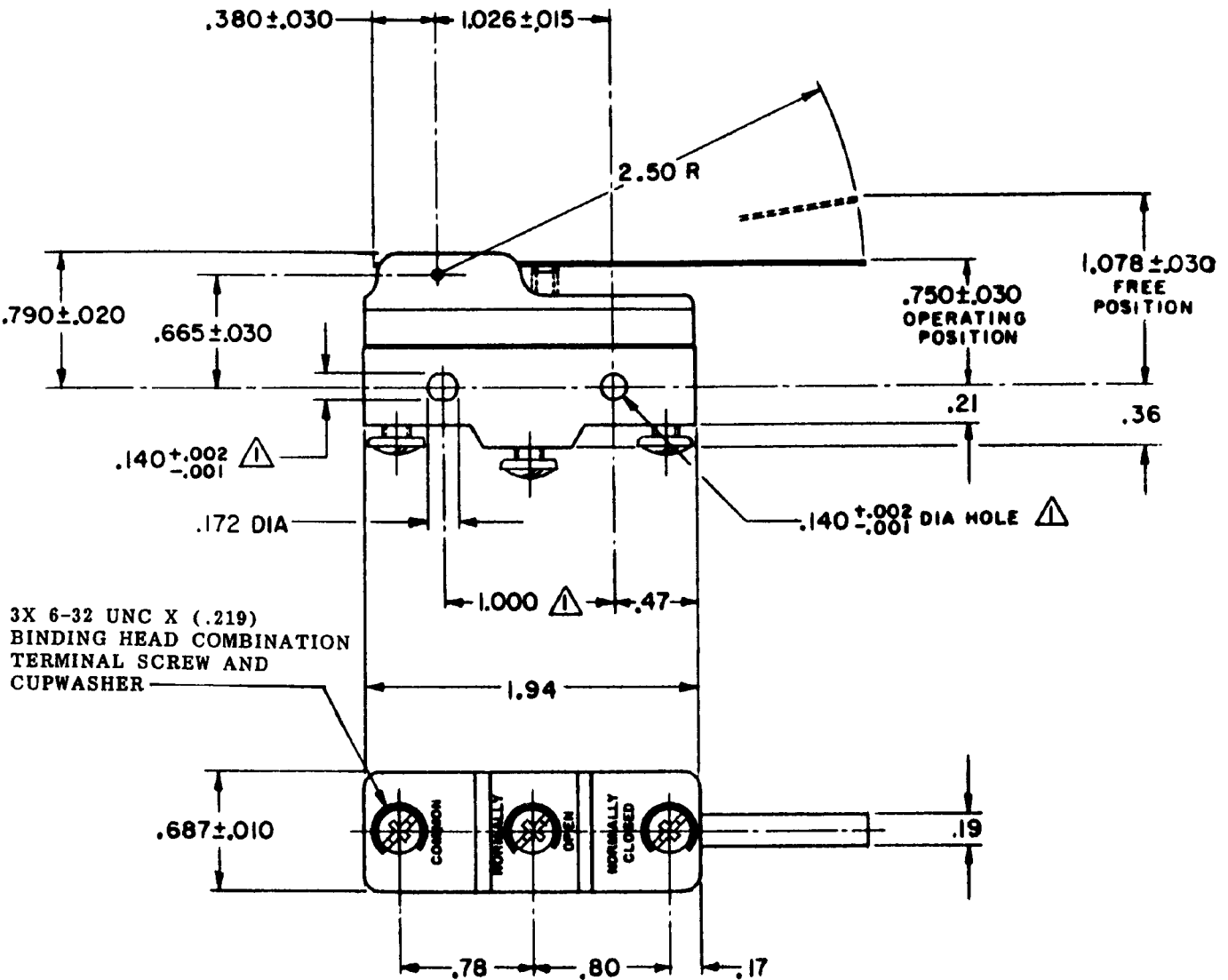
CATALOG LISTING

### BZ-RW80-A2

CATALOG LISTING  
**BZ-RW80-A2**  
 PAGE 1 OF 1  
**M**  
 ISSUE 7  
 REVISIONS  

A	CO	16736	SCH	12 MAR 62
B	DO23645			
M B F				23 JAN 68
C	CO-	73287-J	JAL	22 NOV 93
D	CO-	77589	JAL	30 MAR 94
E	203155			
	CSL			24 MAY 01

 CHECK 29 MAR '62  
 CHECK DAW  
 DRAWN  
 G C H 12 MAR 62  
 0-50275



3X 6-32 UNC X (.219)  
BINDING HEAD COMBINATION  
TERMINAL SCREW AND  
CUPWASHER

NOTE -  
 MOUNTING HOLES WILL ACCEPT PINS OR SCREWS  
 OF .139 MAX DIA ON 1.000 ± .002 CENTERS

THIS DRAWING COVERS A PROPRIETARY ITEM AND IS THE PROPERTY OF MICRO SWITCH, A DIVISION OF MINNEAPOLIS-HONEYWELL REGULATOR CO. THIS DRAWING IS NOT TO BE COPIED OR USED WITHOUT THE APPROVAL OF MICRO SWITCH.

#### CHARACTERISTICS

OPERATING FORCE ----- 2 1/4 OZ MAX  
 RELEASE FORCE ----- 1/2 OZ MIN  
 DIFFERENTIAL TRAVEL ----- .003 - .015  
 OVERTRAVEL ----- .219 MIN

#### ELECTRICAL DATA

CONTACT ARRANGEMENT  
 S P D T

L103 15A 125, 250 OR 480 VAC  
 1/8HP 125 VAC, 1/4HP 250 VAC

L288  
 L299  
 L306

16A 250V ~ T85 5E4

SCALE FULL

DO NOT SCALE PRINT

UNLESS OTHERWISE  
 SPECIFIED  
 DIMENSIONS ARE IN INCHES  
**TOLERANCES ARE:**

ONE PLACE (.0) ± .000  
 TWO PLACE (.00) ± .010  
 THREE PLACE (.000) ± .005  
 ANGLES ±

WEIGHT .073 LB



# MICRO SWITCH

A DIVISION OF MINNEAPOLIS-HONEYWELL REGULATOR COMPANY  
FREDERICK, MINNESOTA

FED. MFR. CODE 91929

## SWITCH - BASIC

CATALOG LISTING

### BZ-RW80-A2

MBZ-RW80-A2

DRAWING NUMBER

ISSUE

6

36

REPLACES

RELEASE NO.

CHECK

**REVISIONS**

A	CO 16736	8 C H 12 MAR 62
B	DO23646	M B F 23 JAN 68
C	CO- 73287-J	J A L 22 NOV 93
D	CO- 77589	J A L 30 MAR 94

CHECK

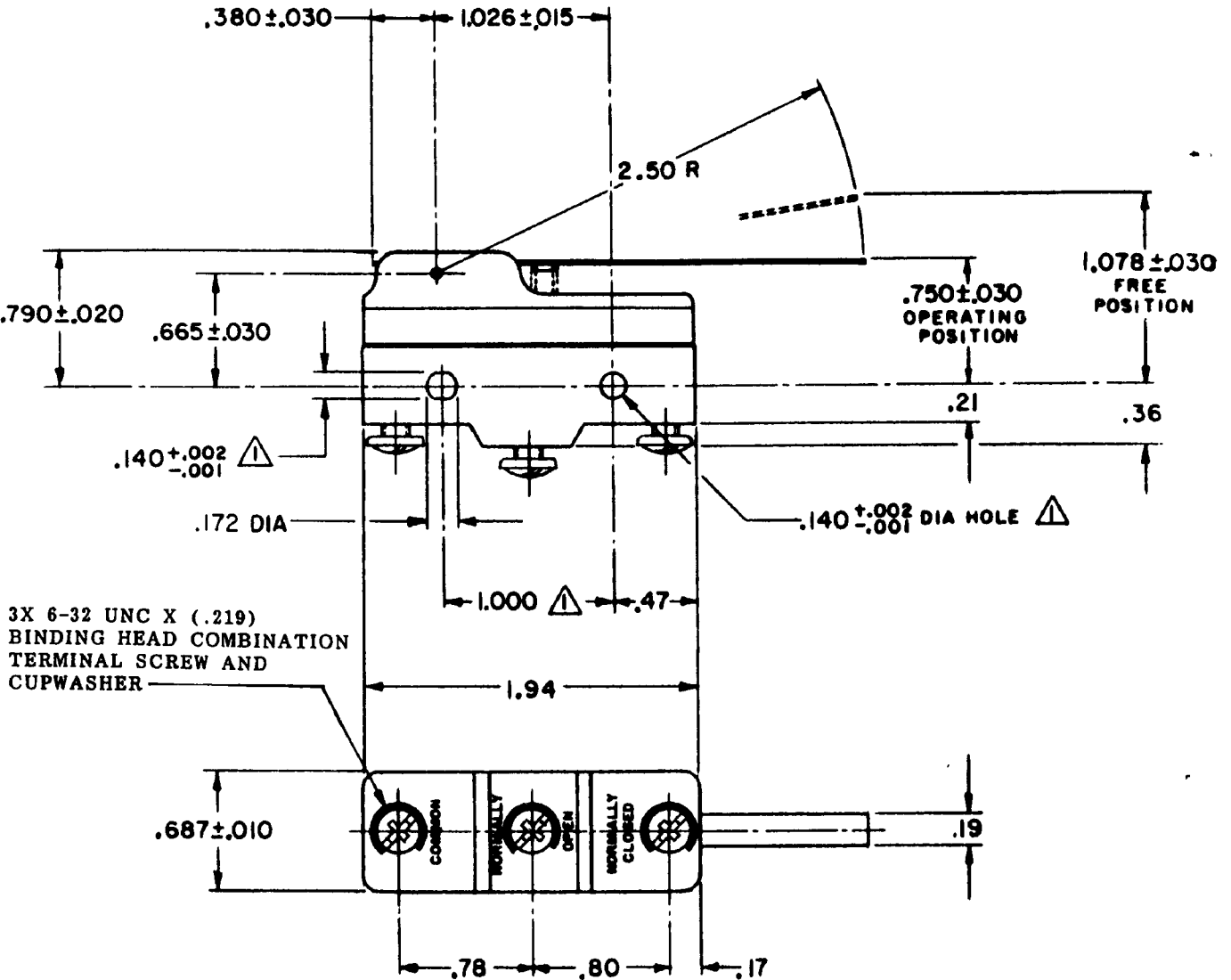
29 MAR 62

DRAW

CHECK

12 MAR 62

DRAW



**NOTE -**  
 ▲ MOUNTING HOLES WILL ACCEPT PINS OR SCREWS OF .139 MAX DIA ON 1.000 ± .002 CENTERS

THIS DRAWING COVERS A PROPRIETARY ITEM AND IS THE PROPERTY OF MICRO SWITCH, A DIVISION OF MINNEAPOLIS-HONEYWELL REGULATOR CO. THIS DRAWING IS NOT TO BE COPIED OR USED WITHOUT THE APPROVAL OF MICRO SWITCH.

**CHARACTERISTICS**

OPERATING FORCE----- 2 1/4 OZ MAX  
 RELEASE FORCE----- 1/2 OZ MIN  
 DIFFERENTIAL TRAVEL----- .003-.015  
 OVERTRAVEL----- .219 MIN

**ELECTRICAL DATA**

CONTACT ARRANGEMENT  
 S P D T

UNDERWRITERS' LAB. INC. LISTED RATING  
 -L103- 15 A-125, 250 OR 480 VAC  
 1/8 HP-125 VAC; 1/4 HP-250 VAC



**SCALE FULL**

DO NOT SCALE PRINT

UNLESS OTHERWISE SPECIFIED DIMENSIONS ARE IN INCHES

**TOLERANCES ARE:**

ONE PLACE (.9) ±.000  
 TWO PLACE (.99) ±.018  
 THREE PLACE (.999) ±.005  
 ANGLES ±

WEIGHT .073 LB

0-50276