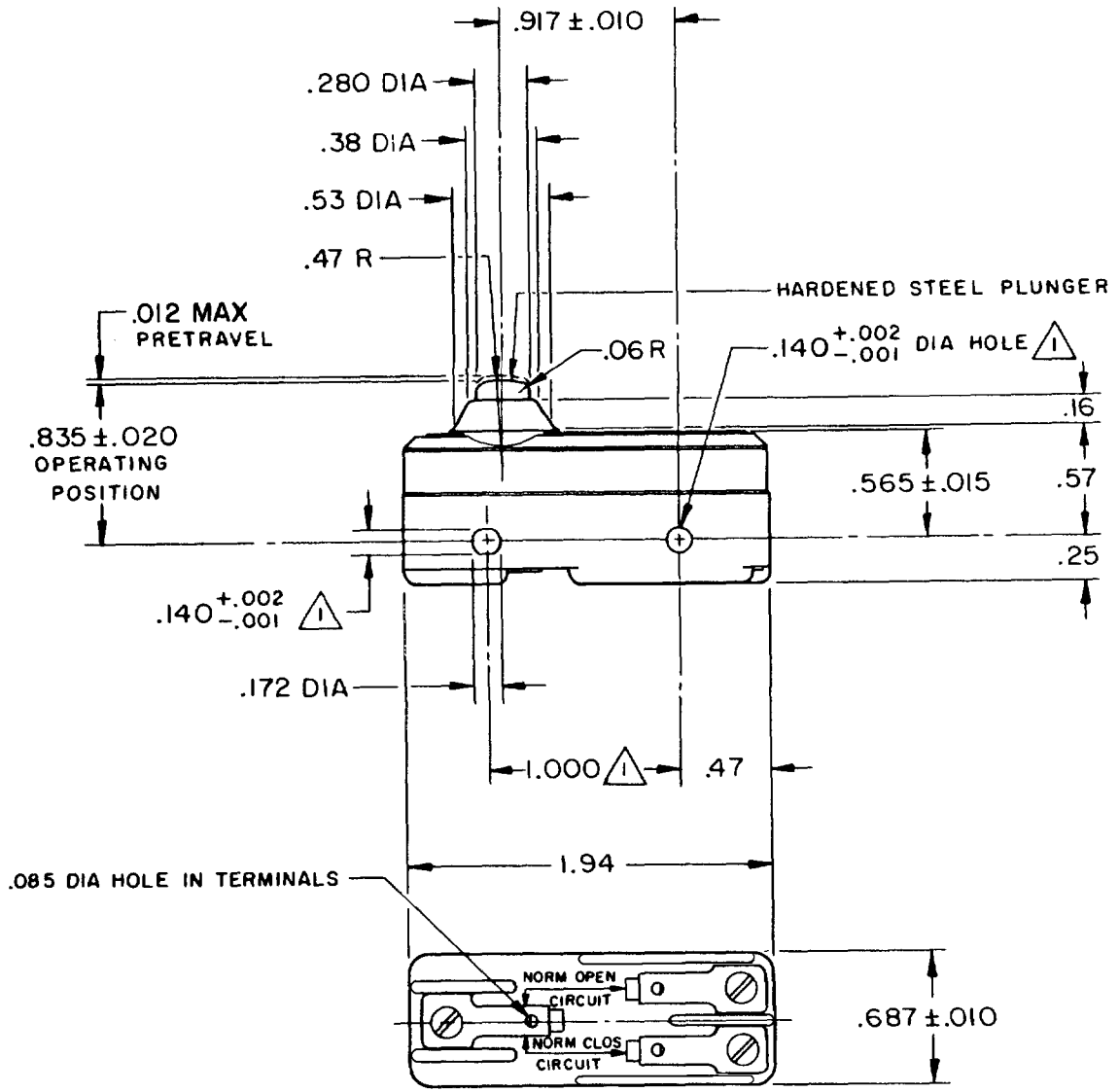


CATALOG LISTING
BZ-RD242
PAGE 1 OF 1
ISSUE **M**
6

REVISIONS
A CO-94212-E
DCS 7 SEP 99
B 0033747
MST 12SEP07

DCS 7 SEP 99
DRAWN
JAF
CHECK
PSR
7 SEP 99
CHECK
12SEP07
7 SEP 99
CHECK
6



NOTE
 MOUNTING HOLES WILL ACCEPT PINS OR SCREWS OF .139 MAX DIA ON 1.000 ± .002 CENTERS
 2 - SWITCH WILL WITHSTAND TEMPERATURE OF 250° F

THIS DRAWING COVERS A PROPRIETARY ITEM AND IS THE PROPERTY OF MICRO SWITCH, A DIVISION OF HONEYWELL. THIS DRAWING IS NOT TO BE COPIED OR USED WITHOUT THE APPROVAL OF MICRO SWITCH.

THIRD ANGLE PROJECTION

CHARACTERISTICS
OPERATING FORCE ----- 6-9 1/2 OZ
RELEASE FORCE ----- 4 OZ MIN
DIFFERENTIAL TRAVEL --- .0003-.0005
OVERTRAVEL ----- .060 MIN

ELECTRICAL DATA
CONTACT ARRANGEMENT S P D T
L103 15A 125, 250 OR 480 VAC 1/8HP 125 VAC, 1/4HP 250 VAC
-L310-

SCALE FULL	DO NOT SCALE PRINT
UNLESS OTHERWISE SPECIFIED TOLERANCES ARE	
ONE PLACE (.0)	± .030
TWO PLACE (.00)	± .015
THREE PLACE (.000)	± .005
ANGLES	±
WEIGHT	.051 LB