



MICRO SWITCH

FREEPORT, ILLINOIS, U.S.A.
A DIVISION OF HONEYWELL

FED. MFG. CODE 91929

SWITCH-BASIC

CATALOG LISTING

BZ-R88

CATALOG LISTING
BZ-R88
PAGE 1 OF 1

M

ISSUE
11

REVISIONS

A	CO15200	R L D	8 FEB 66
B	CO46304	A P	12 OCT 79
C	CO 58037	SMA	1 OCT 85
D	CO-78874	DLT	17 NOV 94
E	CO-94212-J	J J A	4 OCT 99
F	203222	CSL	5 JUN 01

REPLACES

RELEASE NO.

CHECK

CHECK

CHECK

CHECK

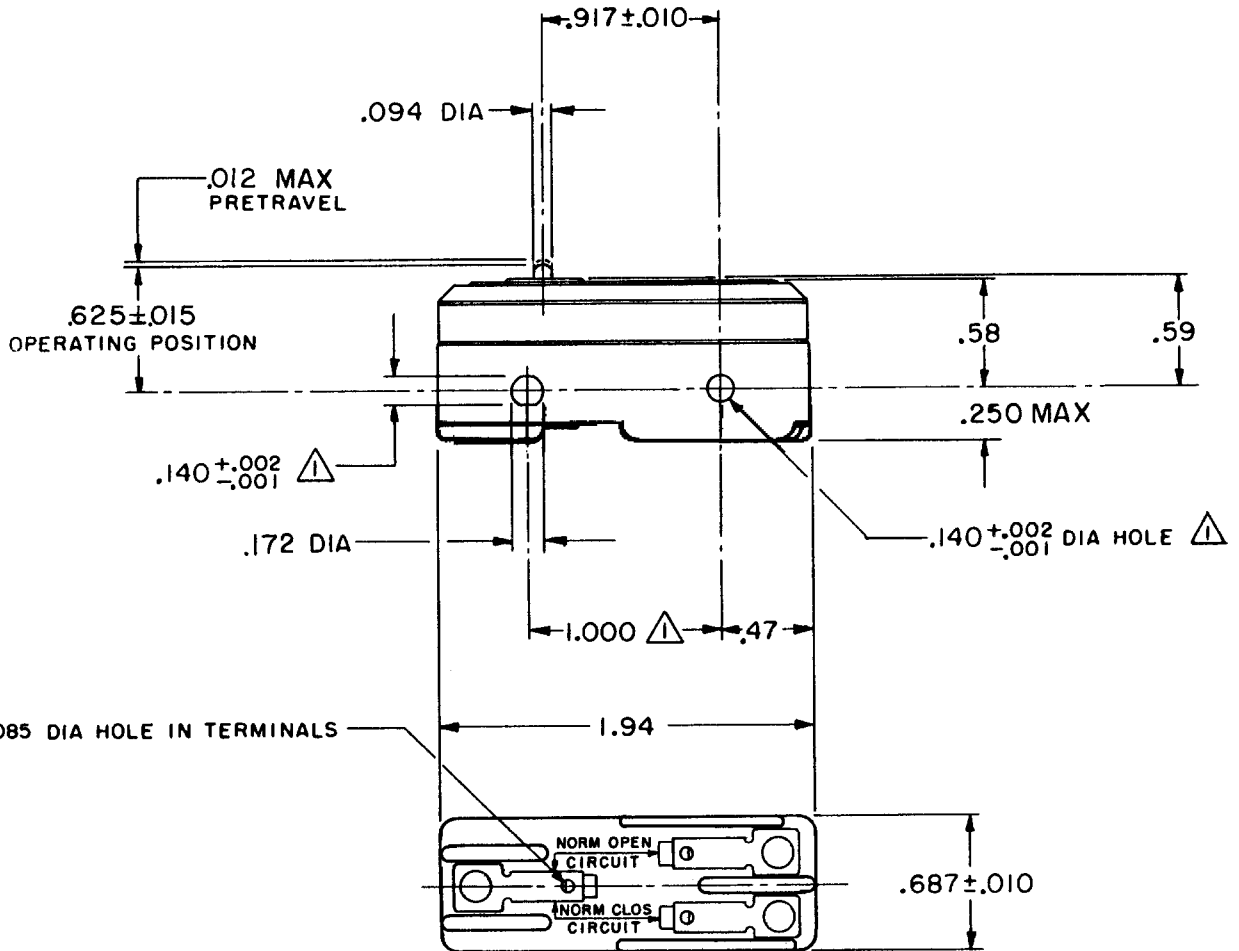
CHECK

CHECK

CHECK

CHECK

CHECK



NOTE -
 - MOUNTING HOLES WILL ACCEPT PINS OR SCREWS OF .139 MAX DIA ON 1.000 ± .002 CENTERS

THIS DRAWING COVERS A PROPRIETARY ITEM AND IS THE PROPERTY OF MICRO SWITCH, A DIVISION OF HONEYWELL. THIS DRAWING IS NOT TO BE COPIED OR USED WITHOUT THE APPROVAL OF MICRO SWITCH.

CHARACTERISTICS

OPERATING FORCE -----9 OZ MAX
 RELEASE FORCE -----3 OZ MIN
 DIFFERENTIAL TRAVEL -----.0007 MAX
 OVERTRAVEL -----.005 MIN

ELECTRICAL DATA

CONTACT ARRANGEMENT
S P D T

L8
10A 125, 250 OR 480 VAC

L288



SCALE FULL

DO NOT SCALE PRINT

UNLESS OTHERWISE NOTED

DIMENSIONS ARE IN INCHES

TOLERANCES ARE:

ONE PLACE	(.0)	±.030
TWO PLACE	(.00)	±.015
THREE PLACE	(.000)	±.005
ANGLES		±

WEIGHT .050 LB

RASTER

FC-50378

DRAWN

RLD

8 FEB 66

CHECK